

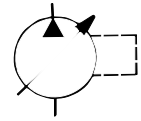


# PUMP, VARIABLE DELIVERY PVWJ 011, 014 & 022

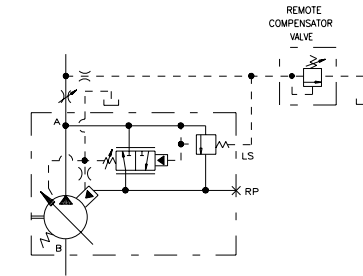
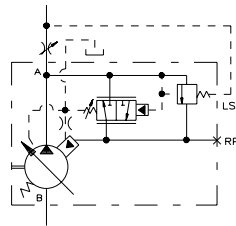
ENGINEERING

1

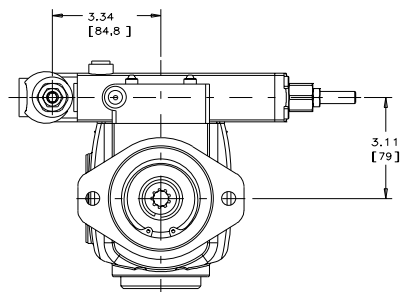
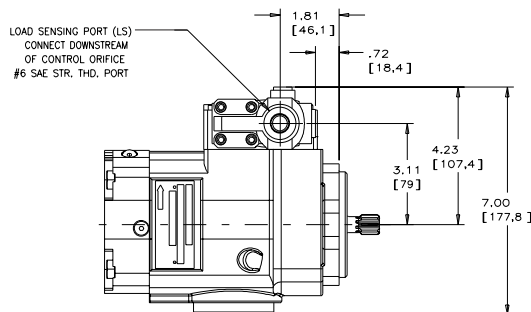
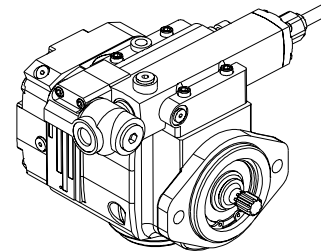
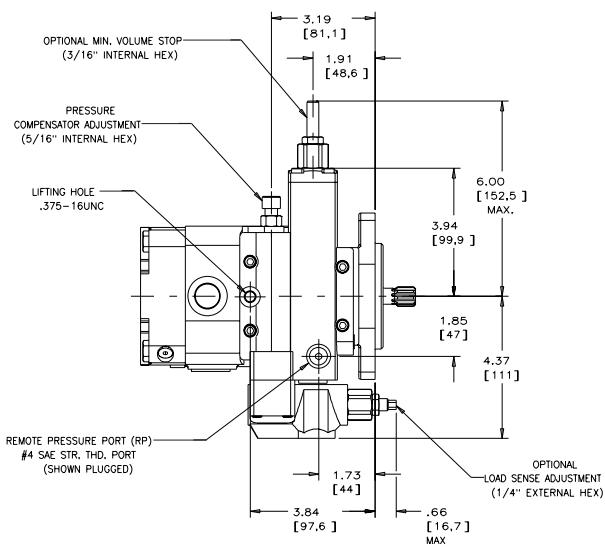
P-1NN/F, P-LNN/F, P-1NN/J, P-LNN/J,  
P-1NN/K and P-LNN/K Controls



## Installation Single Pressure Compensator w/Load Sense Control (A Frame)



PUMP WITH REMOTE PRESSURE CONTROL



520012-102

FOR BASIC PUMP DIMENSIONS SEE PLANOGRAPHS:  
SIZE -011/-014/-022 PUMPS: DS-47480, DS-47481, DS-47482

Telephone: (414) 327-1700  
Fax: (414) 327-0532

**OILGEAR**  
2300 So. 51st. Street  
Milwaukee, WI USA 53219  
www.oilgear.com

Issued: Aug., 2006  
DS-47987

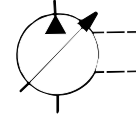


# PUMP, VARIABLE DELIVERY PVWJ 011, 014 & 022

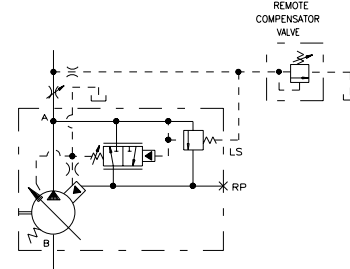
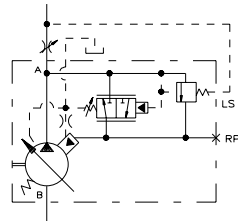
ENGINEERING

2

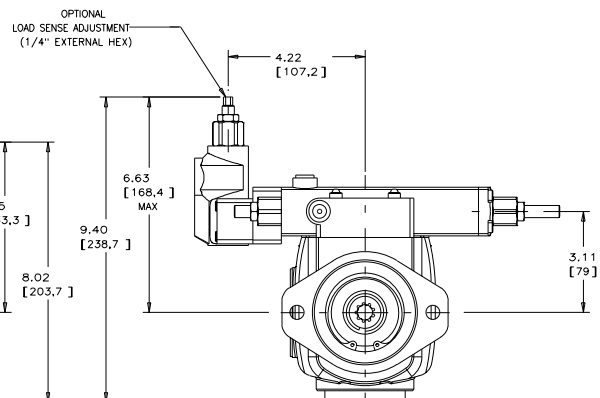
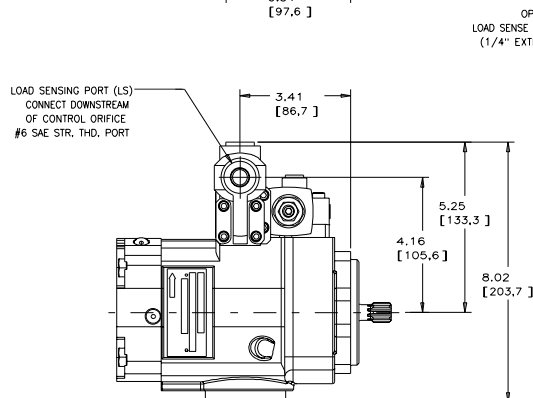
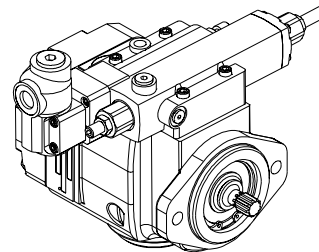
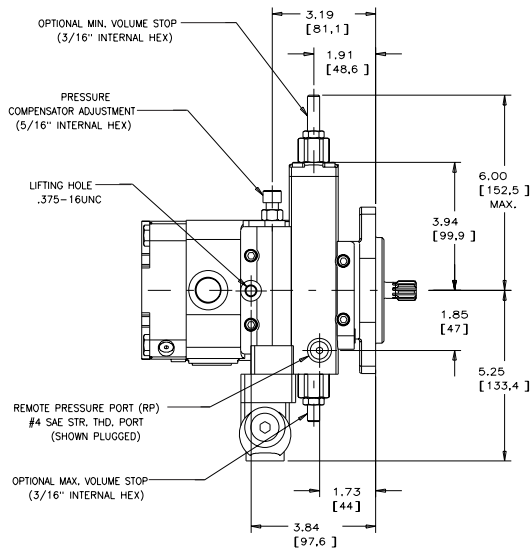
P-1NN/F, P-LNN/F, P-1NN/J, P-LNN/J,  
P-1NN/K and P-LNN/K Controls



## Installation Single Pressure Compensator w/Load Sense Control & Max. Volume Stop (A Frame)



PUMP WITH REMOTE PRESSURE CONTROL



FOR BASIC PUMP DIMENSIONS SEE PLANOGRAPHS:  
SIZE -011/-014/-022 PUMPS: DS-47480, DS-47481, DS-47482

520012-103

Issued: Aug., 2006  
DS-47987

OILGEAR  
2300 So. 51st. Street  
Milwaukee, WI USA 53219  
www.oilgear.com

Telephone: (414) 327-1700  
Fax: (414) 327-0532