

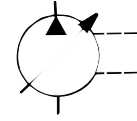


**PUMP, VARIABLE DELIVERY  
PVWJ**  
011, 014, 022 and 025, 034, 046

**ADAPTERS**

ENGINEERING

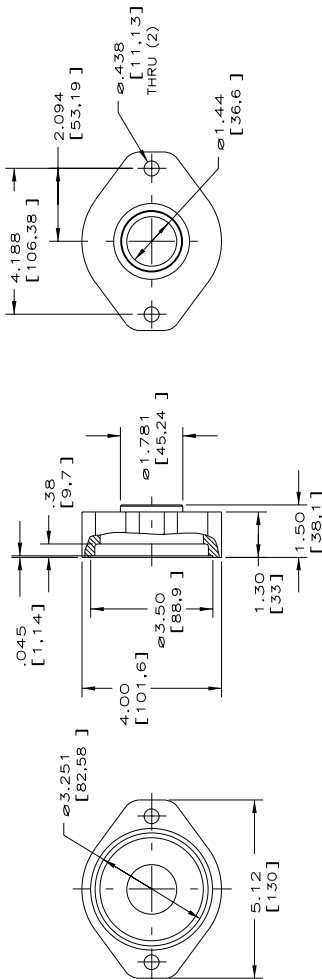
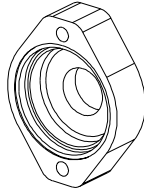
1



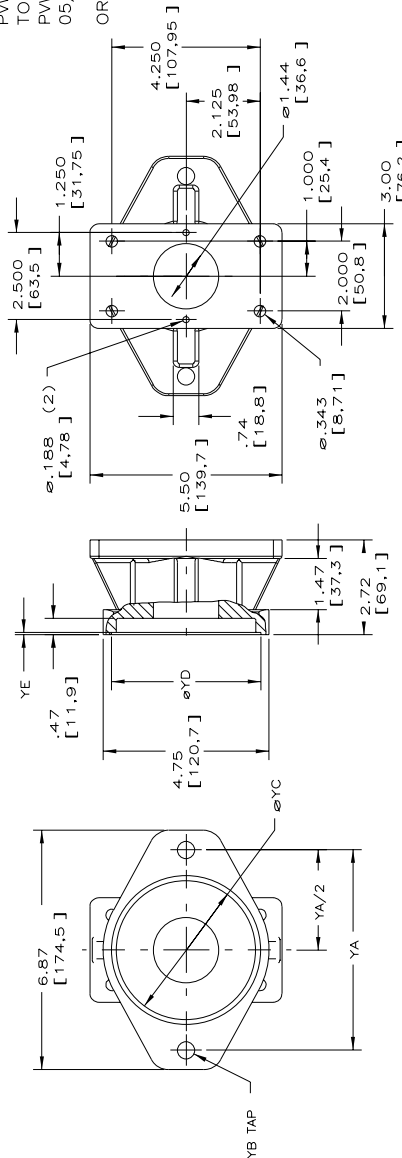
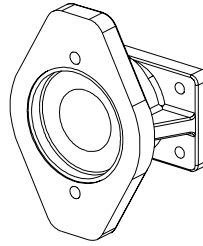
**Installation**

**A and B FRAME ADAPTERS**

FOR MOUNTING  
PVWJ SIZE 011/014/022  
TO  
PVWJ SIZE 011/014/022 OR  
05/07/10/14/20 GEAR PUMPS  
ORDER CODE NO.: AN



FOR MOUNTING  
PVWJ SIZE 025/034/046  
TO  
PVWJ SIZE 011/014/022 OR  
05/07/10/14/20 GEAR PUMPS  
ORDER CODE NO.: AN



FOR MOUNTING  
PVWJ SIZE 025/034/046  
TO  
PVWJ SIZE 025/034/046  
ORDER CODE NO.: BN

MOUNTING DIMENSIONS						
UNIT SIZE	IN/MM	YA	YB	YC	YD	YE
PVWJ B TO A OR GEAR PUMP	INCH	4.188	.375-16 UNC-2B	3.251	3.500	.045
	METRIC	106.38		82.58	88.9	1.14
PVWJ B TO B	INCH	5.750	.500-13 UNC-2B	4.001	4.281	.070
	METRIC	146.05		101.6	108.74	1.78

E60346

Telephone: (414) 327-1700  
Fax: (414) 327-0532

**OILGEAR**  
2300 So. 51st. Street  
Milwaukee, WI USA 53219  
www.oilgear.com

Issued: Aug., 2006  
**DS-47490**

