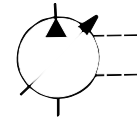




PUMP, VARIABLE DELIVERY PVWJ 025, 034 & 046 WITHOUT CONTROLS

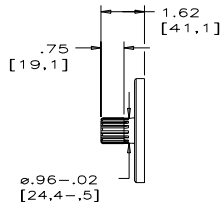
ENGINEERING

1



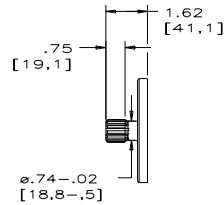
Installation Drawing Basic Pump Without Control – Rear Ported

OPTIONAL SAE "B-B"
SPLINE SHAFT
CODE "C"



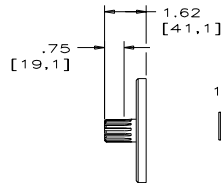
VIEW SHOWING OPTIONAL
SPLINE SHAFT
SAE INVOLUTE SPLINE
15 TEETH, 16/32 PITCH
.995 [25.27] MAJOR DIA.

OPTIONAL SAE "B"
SPLINE SHAFT
CODE "S"



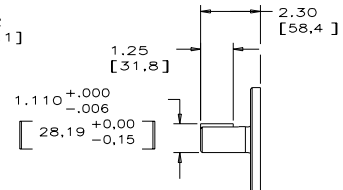
VIEW SHOWING OPTIONAL
SPLINE SHAFT
SAE INVOLUTE SPLINE
13 TEETH, 16/32 PITCH
.859 [21.82] MAJOR DIA.

OPTIONAL SAE "B"
SPLINE SHAFT
CODE "D"

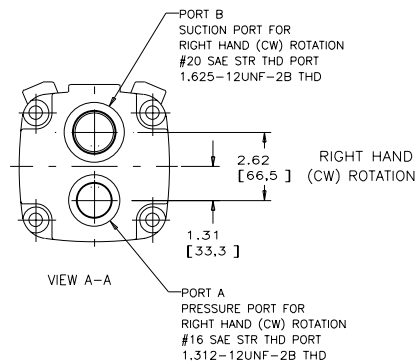
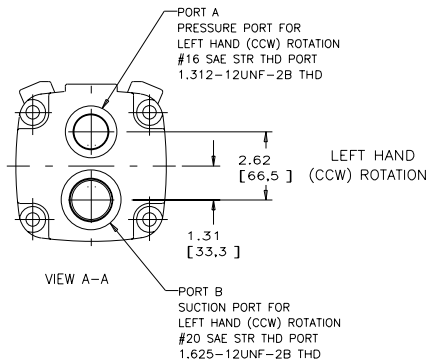


VIEW SHOWING OPTIONAL
SPLINE SHAFT
SAE INVOLUTE SPLINE
13 TEETH, 16/32 PITCH
.875 [22.23] MAJOR DIA.
(INDUSTRIAL VERSION)

OPTIONAL SAE "B-B"
KEYED SHAFT
CODE "B"

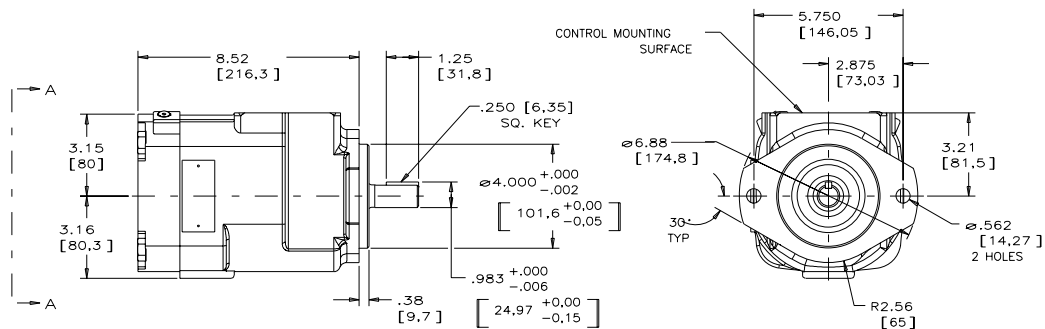
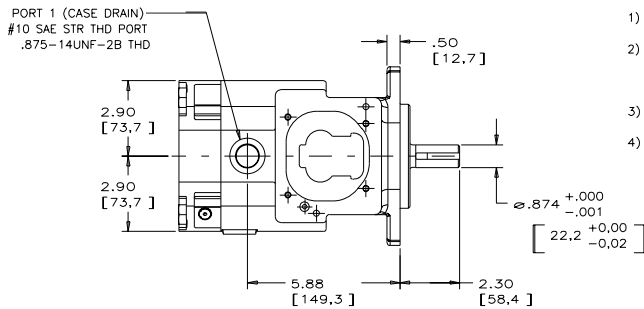


VIEW SHOWING OPTIONAL
KEYED SHAFT
 $\phi 1.000 \pm .001 [25.40 \pm .025]$
W/ .250 [6.35] SQ. KEY



NOTES:

- 1) PUMPS ARE DESIGNED FOR ONE-WAY SERVICE.
- 2) THESE UNITS ARE DESIGNED TO RUN CASE FULL OF FLUID AT ALL TIMES. FILL CASE BEFORE STARTING AND CONNECT DRAIN LINES ACCORDINGLY.
- 3) NUMERICAL DIMENSIONS GIVEN IN INCHES/[MM].
- 4) NET WEIGHT- 58 LBS. [26,31 KG].



520034-201 sh. 1

Telephone: (414) 327-1700
Fax: (414) 327-0532

OILGEAR
2300 So. 51st. Street
Milwaukee, WI USA 53219

Issued: Oct., 2006
DS-47483