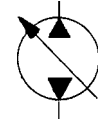




**PUMP, VARIABLE DELIVERY
PVWC 011, 014 & 022
"A4" (GEROTORLESS)**

ENGINEERING

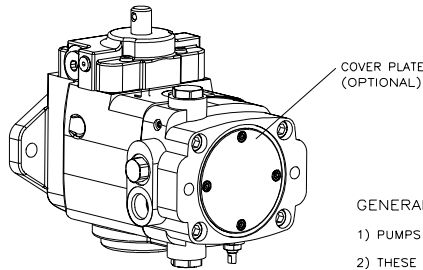
1



HYDROSTATIC

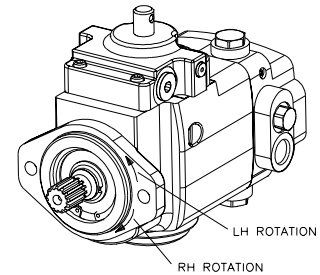
Installation Drawing

SAE "A" MOUNTING

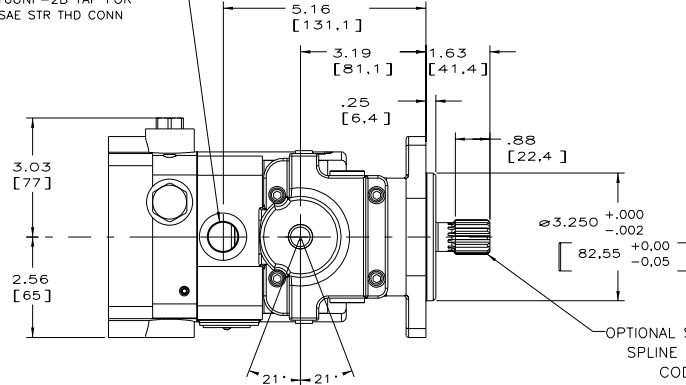


GENERAL NOTES:

- 1) PUMPS ARE DESIGNED FOR TWO-WAY SERVICE
- 2) THESE UNITS ARE DESIGNED TO RUN WITH CASE FULL OF FLUID AT ALL TIMES. FILL CASE BEFORE STARTING AND CONNECT DRAIN LINES ACCORDINGLY.
- 3) NUMERICAL DIMENSIONS GIVEN IN INCHES/[MM].
- 4) TOTAL WEIGHT = 38 LBS (17,3 KG)



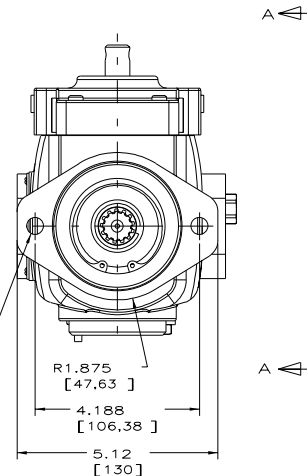
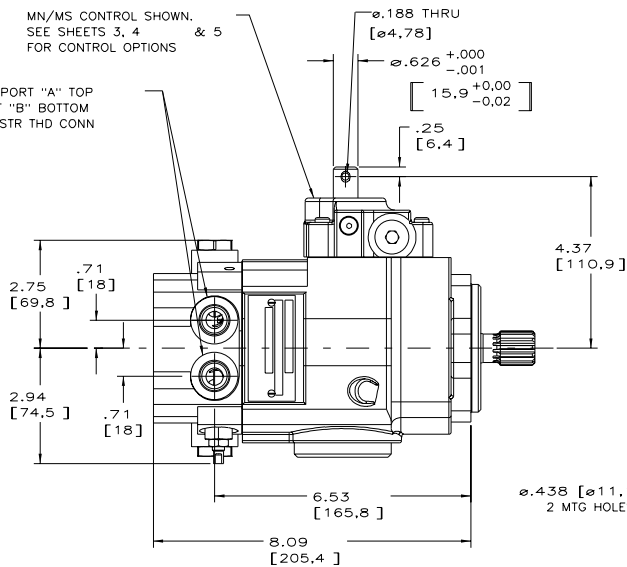
CASE DRAIN
.750-16UNF-2B TAP FOR
#8 SAE STR THD CONN



OPTIONAL SAE "B"
SPLINE SHAFT
CODE L
SAE INVOLUTE SPLINE
13 TEETH, 16/32 PITCH
.875 [22,23] MAJOR DIA
SEE SHEET 2 FOR
ADDITIONAL SHAFTS

MN/MS CONTROL SHOWN.
SEE SHEETS 3, 4
& 5
FOR CONTROL OPTIONS

OUTLET PORT "A" TOP
OUTLET PORT "B" BOTTOM
#8 SAE STR THD CONN



NOTE: DIMENSIONS SHOWN IN [] ARE IN MILLIMETERS

Telephone: (414) 327-1700
Fax: (414) 327-0532

OILGEAR
2300 So. 51st. Street
Milwaukee, WI USA 53219

Revised: March, 2004
DS-47020

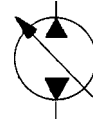
E60330-008 sh. 1 of 6



**PUMP, VARIABLE DELIVERY
PVWC 011, 014 & 022
"A4" (GEROTORLESS)**

ENGINEERING

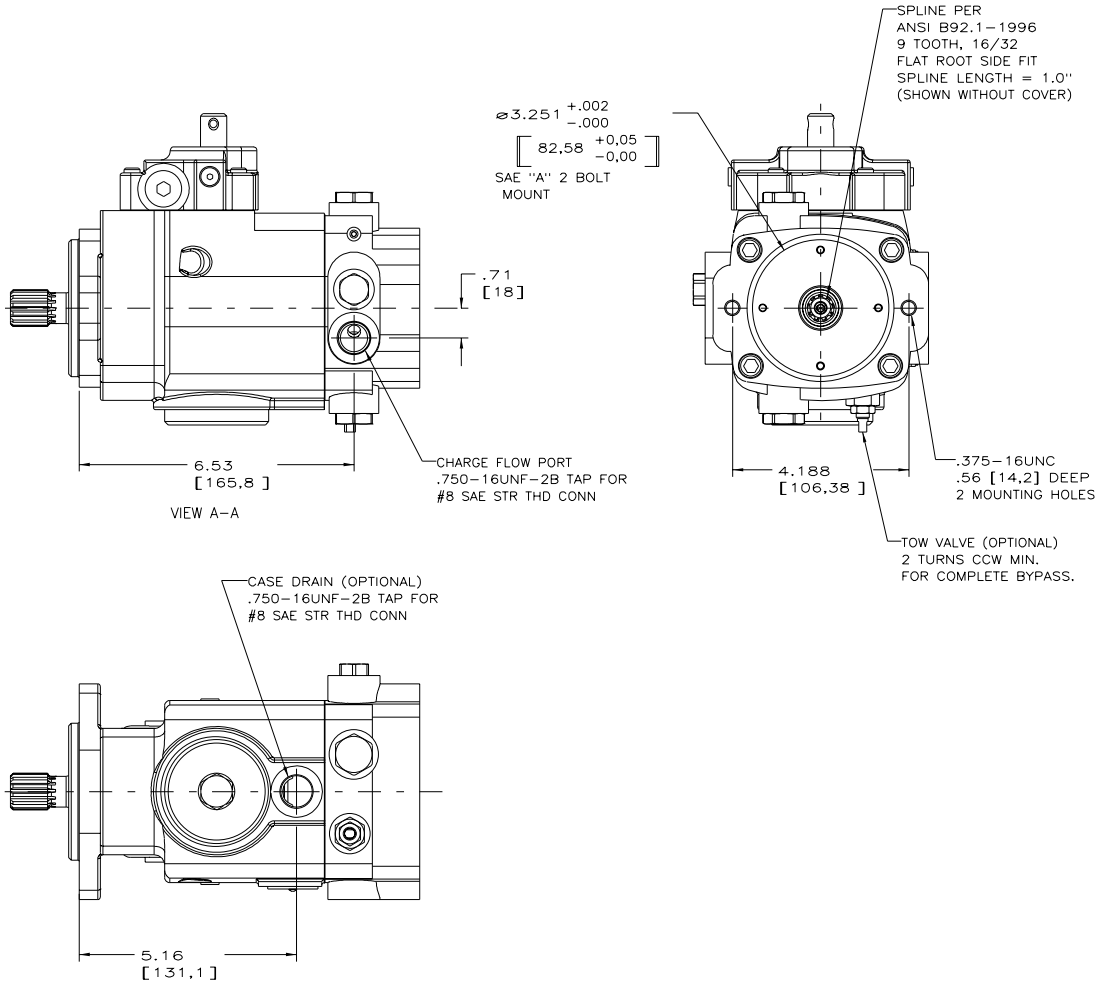
2



HYDROSTATIC

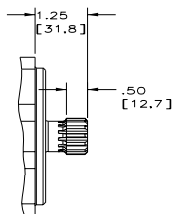
Installation Drawing

SAE "A" MOUNTING



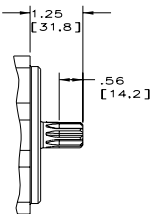
SHAFT OPTIONS

OPTIONAL SAE "B"
SPLINE SHAFT
CODE K



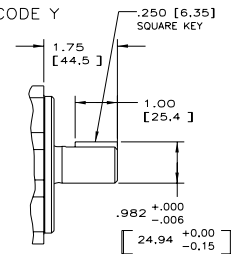
VIEW SHOWING OPTIONAL
SPLINE SHAFT
SAE INVOLUTE SPLINE
13 TEETH, 16/32 PITCH
.875 [22.23] MAJOR DIA

OPTIONAL SAE "A"
SPLINE SHAFT
CODE S



VIEW SHOWING OPTIONAL
SPLINE SHAFT
SAE INVOLUTE SPLINE
9 TEETH, 16/32 PITCH
.611 [15.52] MAJOR DIA

OPTIONAL SAE "B"
KEYED SHAFT
CODE Y



VIEW SHOWING
OPTIONAL KEYED
SHAFT

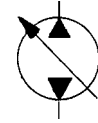
E60330-008 sh. 2 of 6



**PUMP, VARIABLE DELIVERY
PVWC 011, 014 & 022
"A4" (GEROTORLESS)**

ENGINEERING

3



HYDROSTATIC

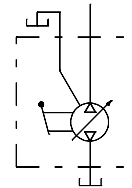
Installation Drawing

SAE "A" MOUNTING

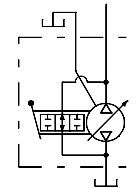
MANUAL CONTROLS

MN AND MS
CONTROL FUNCTIONS:

- RIGHT HAND ROTATION PUMP (CW)
 - CLOCKWISE PINTLE ROTATION INCREASES FLOW FROM OUTLET PORT "B"
 - COUNTERCLOCKWISE PINTLE ROTATION INCREASES FLOW FROM OUTLET PORT "A"
- LEFT HAND ROTATION PUMP (CCW)
 - CLOCKWISE PINTLE ROTATION INCREASES FLOW FROM OUTLET PORT "A"
 - COUNTERCLOCKWISE PINTLE ROTATION INCREASES FLOW FROM OUTLET PORT "B"



* MN CONTROL

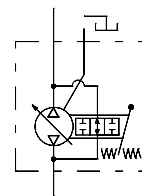
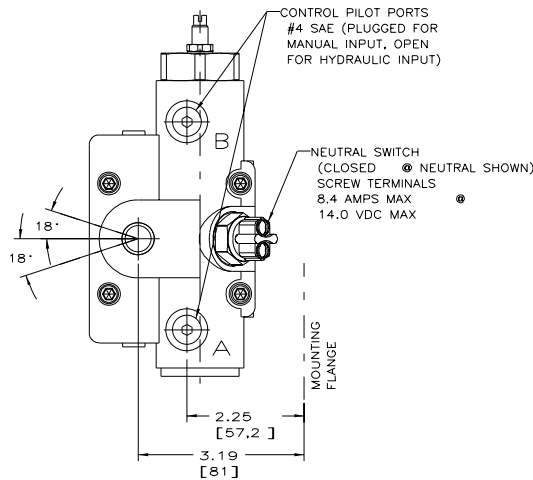


* MS CONTROL

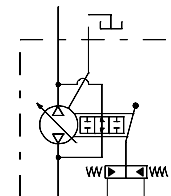
CENTER ASSIST CONTROL

CA CONTROL FUNCTION:

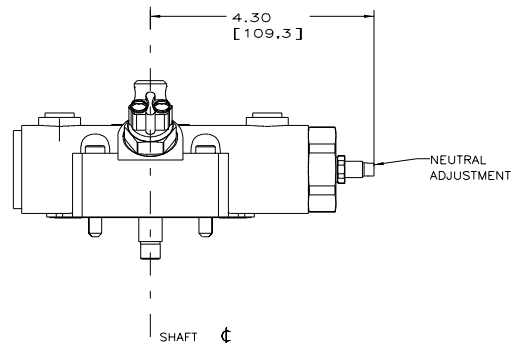
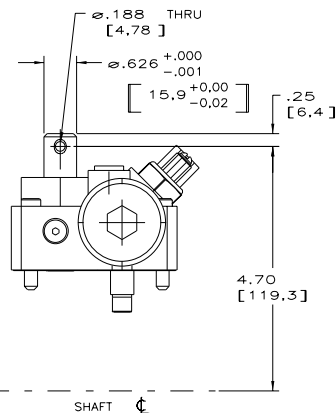
- RIGHT HAND ROTATION PUMP (CW)
 - CLOCKWISE PINTLE ROTATION INCREASES FLOW FROM OUTLET PORT "B"
 - COUNTERCLOCKWISE PINTLE ROTATION INCREASES FLOW FROM OUTLET PORT "A"
 - PILOT PRESSURE TO PILOT PORT "A" INCREASES FLOW FROM OUTLET PORT "A"
 - PILOT PRESSURE TO PILOT PORT "B" INCREASES FLOW FROM OUTLET PORT "B"
- LEFT HAND ROTATION PUMP (CCW)
 - CLOCKWISE PINTLE ROTATION INCREASES FLOW FROM OUTLET PORT "A"
 - COUNTERCLOCKWISE PINTLE ROTATION INCREASES FLOW FROM OUTLET PORT "B"
 - PILOT PRESSURE TO PILOT PORT "B" INCREASES FLOW FROM OUTLET PORT "A"
 - PILOT PRESSURE TO PILOT PORT "A" INCREASES FLOW FROM OUTLET PORT "B"



MECHANICAL



HYDRAULIC



E60330-008 sh. 3 of 6

Telephone: (414) 327-1700
Fax: (414) 327-0532

OILGEAR
2300 So. 51st. Street
Milwaukee, WI USA 53219

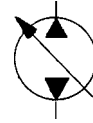
Revised: March, 2004
DS-47020



**PUMP, VARIABLE DELIVERY
PVWC 011, 014 & 022
"A4" (GEROTORLESS)**

ENGINEERING

4

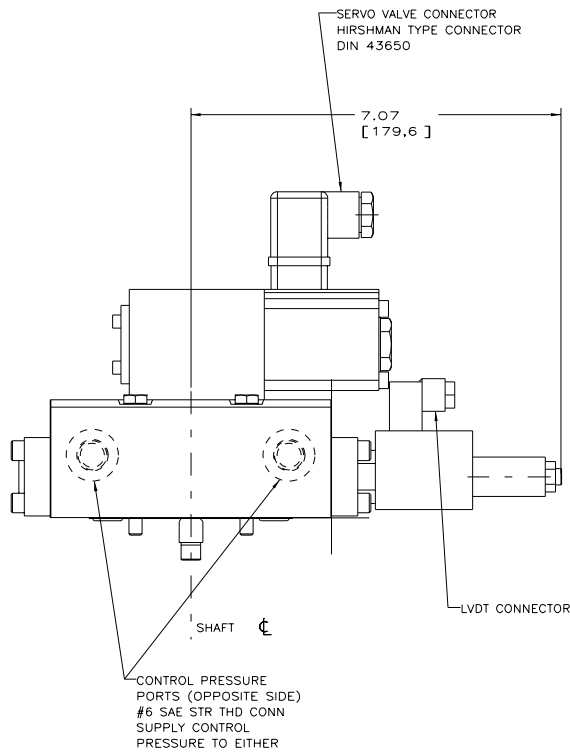
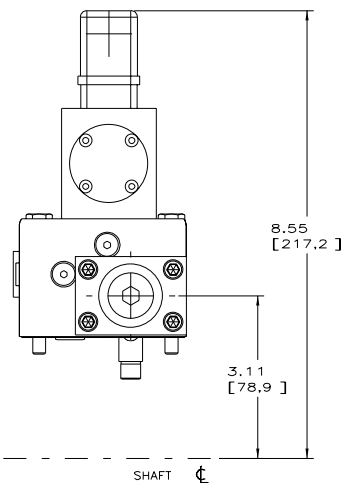
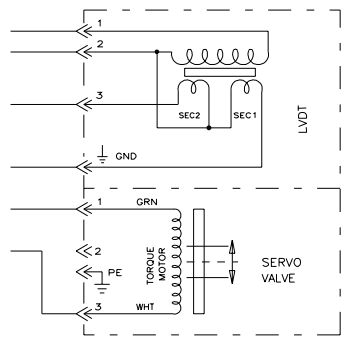
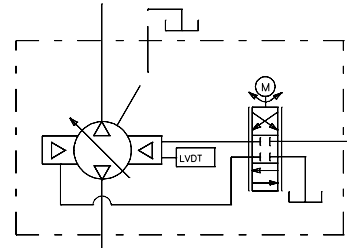
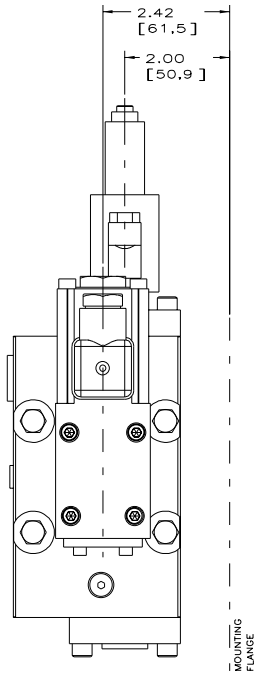


HYDROSTATIC

Installation Drawing

SAE "A" MOUNTING

VM CONTROL



E60330-008 sh. 4 of 6

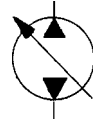


**PUMP, VARIABLE DELIVERY
PVWC 011, 014 & 022
"A4" (GEROTORLESS)**

ENGINEERING

5

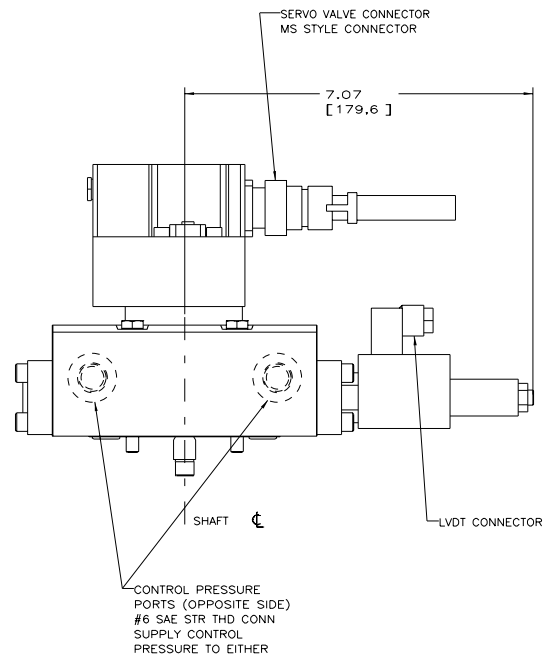
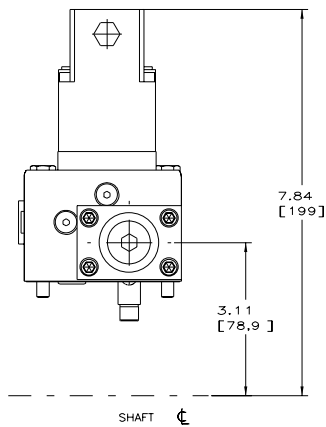
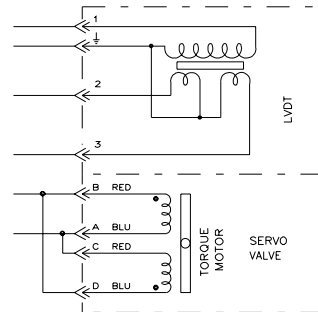
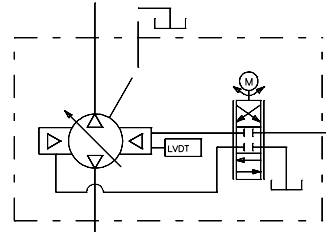
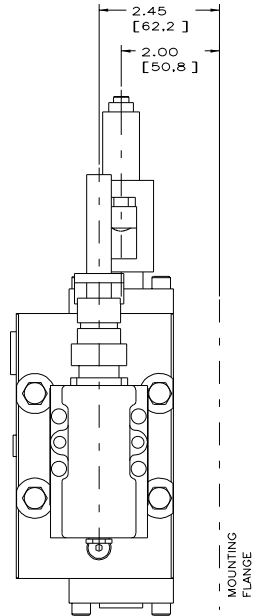
HYDROSTATIC



Installation Drawing

SAE "A" MOUNTING

VS CONTROL



E60330-008 sh. 5 of 6

Telephone: (414) 327-1700
Fax: (414) 327-0532

OILGEAR
2300 So. 51st. Street
Milwaukee, WI USA 53219

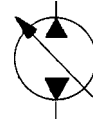
Revised: March, 2004
DS-47020



**PUMP, VARIABLE DELIVERY
PVWC 011, 014 & 022
"A4" (GEROTORLESS)**

ENGINEERING

6



HYDROSTATIC

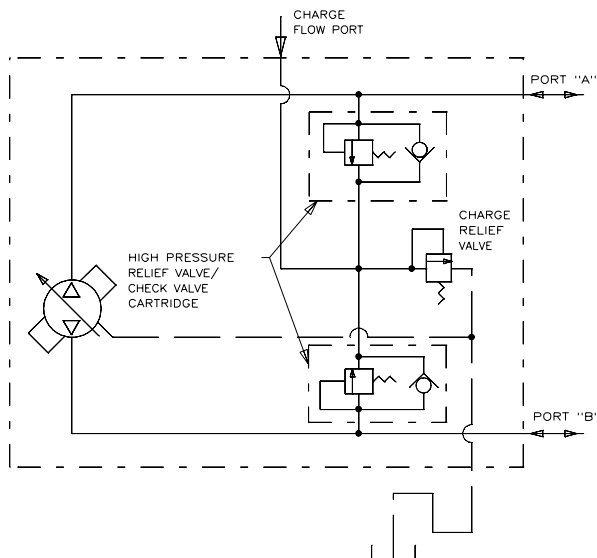
Installation Drawing

SAE "A" MOUNTING

PVWC SPECIFICATIONS			
	PUMP MODEL		
	PVWC-011	PVWC-014	PVWC-022
MAX PISTON PUMP DISPLACEMENT	0.66 CIPR (10,8 CC/REV)	0.86 CIPR (14,1 CC/REV)	1.35 CIPR (22,1 CC/REV)
OPERATING PRESSURE RATED CONTINUOUS MAX INTERMITTENT (10% OF DUTY) PEAK	4000 PSI (275 BAR) 4500 PSI (310 BAR) 5000 PSI (350 BAR)	4000 PSI (275 BAR) 4500 PSI (310 BAR) 5000 PSI (350 BAR)	3000 PSI (206 BAR) 3500 PSI (241 BAR) 5000 PSI (350 BAR)
OUTPUT FLOW (SEE NOTE 1) (@ 1800 RPM & RATED CONT. PRESSURE)	4.1 GPM (15,5 L/MIN)	5.4 GPM (20,4 L/MIN)	8.5 GPM (32,2 L/MIN)
INPUT SHAFT SPEED MINIMUM CONTINUOUS INTERMITTENT	600 RPM 3600 RPM 4000 RPM	600 RPM 3600 RPM 4000 RPM	600 RPM 3600 RPM 4000 RPM
CHARGE PRESSURE (@ 1800 RPM) NOMINAL MINIMUM	75 PSI (5 BAR) 30 PSI (2 BAR)	75 PSI (5 BAR) 30 PSI (2 BAR)	75 PSI (5 BAR) 30 PSI (2 BAR)
CASE PRESSURE MAX CONTINUOUS MAX INTERMITTENT	15 PSI (1 BAR) 100 PSI (7 BAR)	15 PSI (1 BAR) 100 PSI (7 BAR)	15 PSI (1 BAR) 100 PSI (7 BAR)
HYDRAULIC FLUID TEMP (@ 1800 RPM) MINIMUM MAXIMUM	-40°F (-40°C) 200°F (95°C)	-40°F (-40°C) 200°F (95°C)	-40°F (-40°C) 200°F (95°C)

NOTE 1: OUTPUT FLOW BASED ON ISO 46 HYDRAULIC FLUID @ 125°F

PVWC GEROTORLESS PUMP



E60330-008 sh. 6 of 6

Revised: March, 2004
DS-47020

OILGEAR
2300 So. 51st. Street
Milwaukee, WI USA 53219

Telephone: (414) 327-1700
Fax: (414) 327-0532