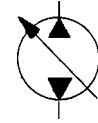




**PUMP, VARIABLE DELIVERY
PVWC 011, 014 & 022
"A4"**

ENGINEERING

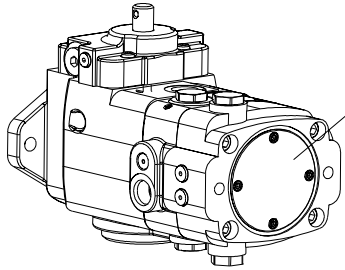
1



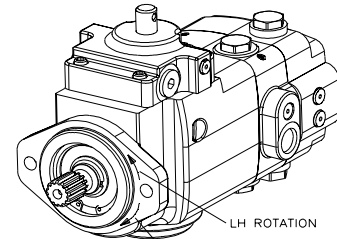
HYDROSTATIC

Installation Drawing

SAE "A" MOUNTING



COVER PLATE
(OPTIONAL)



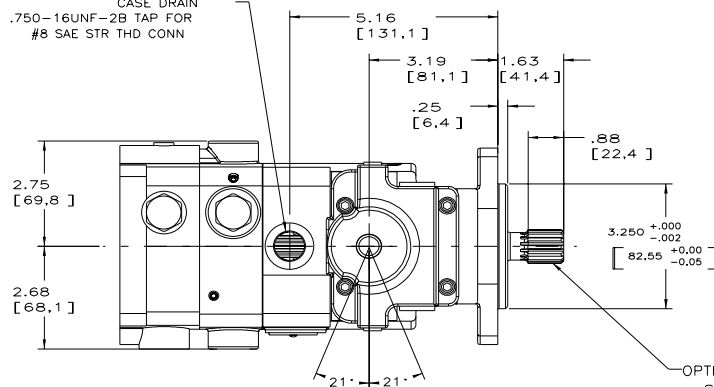
LH ROTATION

RH ROTATION

GENERAL NOTES:

- 1) PUMPS ARE DESIGNED FOR TWO-WAY SERVICE
- 2) THESE UNITS ARE DESIGNED TO RUN WITH CASE FULL OF FLUID AT ALL TIMES. FILL CASE BEFORE STARTING AND CONNECT DRAIN LINES ACCORDINGLY.
- 3) NUMERICAL DIMENSIONS GIVEN IN INCHES/[MM].
- 4) TOTAL WEIGHT = 38 LBS (17,3 KG)

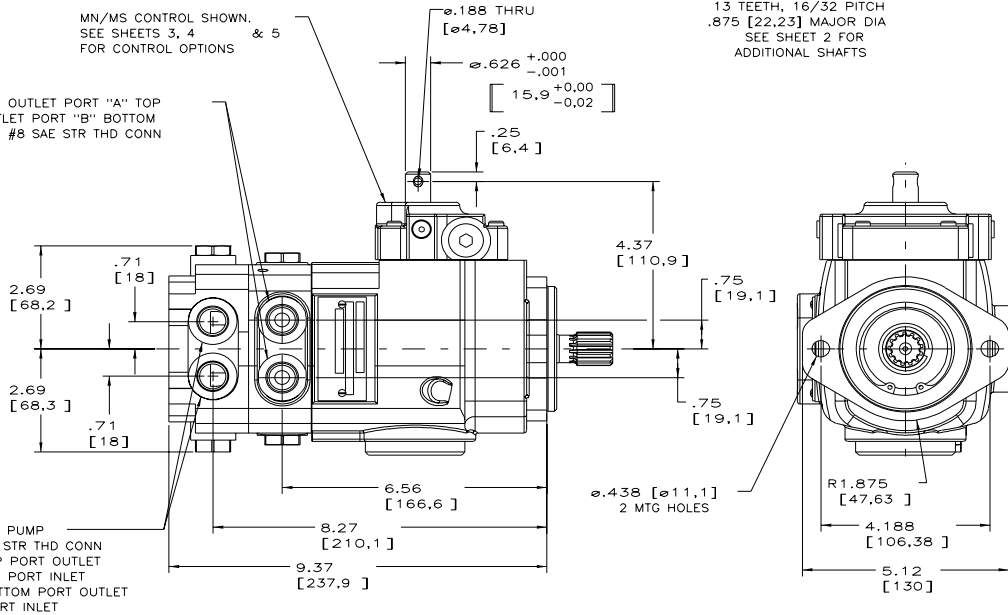
CASE DRAIN
.750-16UNF-2B TAP FOR
#8 SAE STR THD CONN



OPTIONAL SAE "B"
SPLINE SHAFT
CODE L
SAE INVOLUTE SPLINE
13 TEETH, 16/32 PITCH
.875 [22,23] MAJOR DIA
SEE SHEET 2 FOR
ADDITIONAL SHAFTS

MN/MS CONTROL SHOWN.
SEE SHEETS 3, 4
& 5
FOR CONTROL OPTIONS

OUTLET PORT "A" TOP
OUTLET PORT "B" BOTTOM
#8 SAE STR THD CONN



CHARGE PUMP
#8 SAE STR THD CONN
LH: TOP PORT OUTLET
BOTTOM PORT INLET
RH: BOTTOM PORT OUTLET
TOP PORT INLET

NOTE: DIMENSIONS SHOWN IN [] ARE IN MILLIMETERS

E60330-005 sh. 1 of 6

REVISED SH 1

Telephone: (414) 327-1700
Fax: (414) 327-0532

OILGEAR
2300 So. 51st. Street
Milwaukee, WI USA 53219

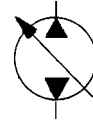
Revised: March, 2004
DS-47018-D



**PUMP, VARIABLE DELIVERY
PVWC 011, 014 & 022
"A4"**

ENGINEERING

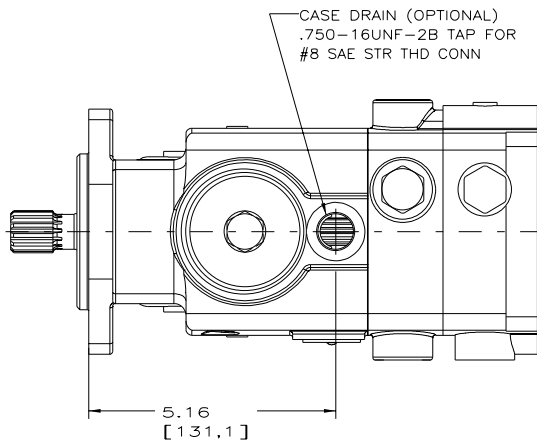
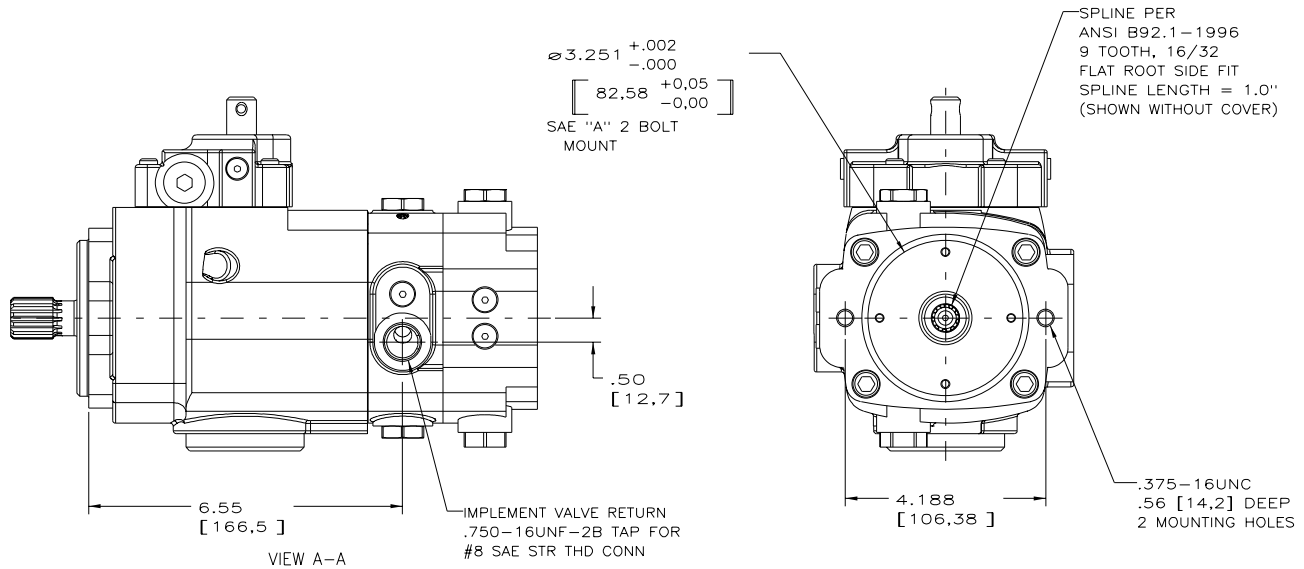
2



HYDROSTATIC

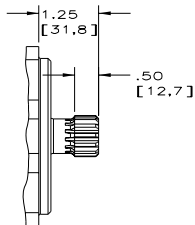
Installation Drawing

SAE "A" MOUNTING



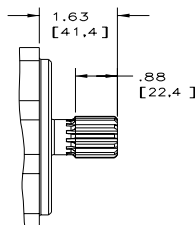
SHAFT OPTIONS

OPTIONAL SAE "B"
SPLINE SHAFT
CODE K



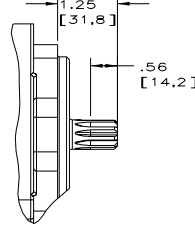
VIEW SHOWING OPTIONAL
SPLINE SHAFT
SAE INVOLUTE SPLINE
13 TEETH, 16/32 PITCH
.875 [22.23] MAJOR DIA

OPTIONAL SAE "B"
SPLINE SHAFT
CODE L (SPECIAL)



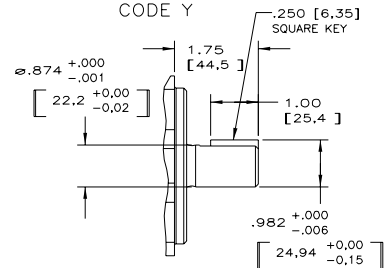
VIEW SHOWING OPTIONAL
SPLINE SHAFT
SAE INVOLUTE SPLINE
13 TEETH, 16/32 PITCH
.875 [22.23] MAJOR DIA
SPECIAL - CLASS 5 FIT

OPTIONAL SAE "A"
SPLINE SHAFT
CODE S



VIEW SHOWING OPTIONAL
SPLINE SHAFT
SAE INVOLUTE SPLINE
9 TEETH, 16/32 PITCH
.611 [15.52] MAJOR DIA

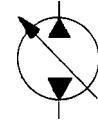
OPTIONAL SAE "B"
KEYED SHAFT
CODE Y



VIEW SHOWING
OPTIONAL KEYED
SHAFT

E60330-005 sh. 2 of 6

HYDROSTATIC

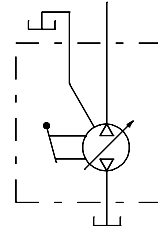


Installation Drawing

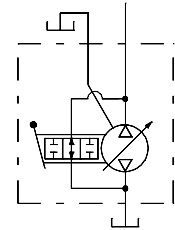
SAE "A" MOUNTING

MN AND MS
CONTROL FUNCTIONS:

- RIGHT HAND ROTATION PUMP (CW)
 -CLOCKWISE PINTLE ROTATION INCREASES FLOW FROM OUTLET PORT "B"
 -COUNTERCLOCKWISE PINTLE ROTATION INCREASES FLOW FROM OUTLET PORT "A"
 LEFT HAND ROTATION PUMP (CCW)
 -CLOCKWISE PINTLE ROTATION INCREASES FLOW FROM OUTLET PORT "A"
 -COUNTERCLOCKWISE PINTLE ROTATION INCREASES FLOW FROM OUTLET PORT "B"



* MN CONTROL

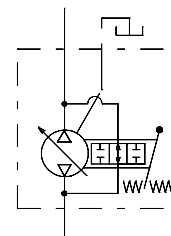
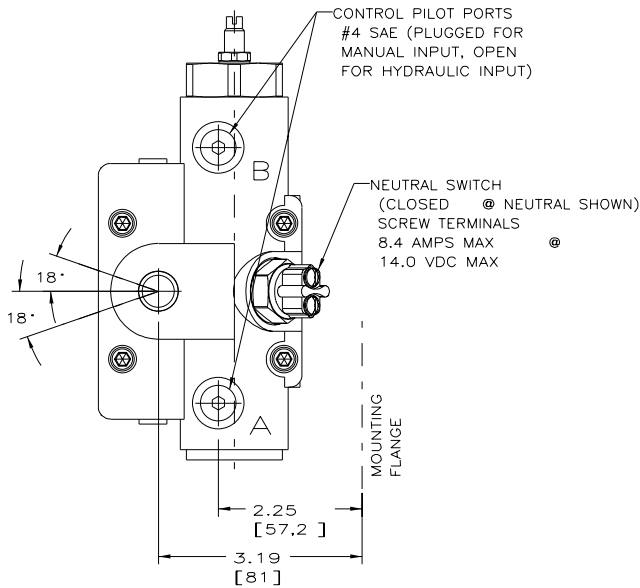


* MS CONTROL

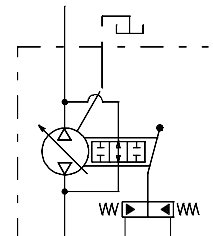
CA CONTROL FUNCTION:

- RIGHT HAND ROTATION PUMP (CW)
 -CLOCKWISE PINTLE ROTATION INCREASES FLOW FROM OUTLET PORT "B"
 -COUNTERCLOCKWISE PINTLE ROTATION INCREASES FLOW FROM OUTLET PORT "A"
 -PILOT PRESSURE TO PILOT PORT "A" INCREASES FLOW FROM OUTLET PORT "A"
 -PILOT PRESSURE TO PILOT PORT "B" INCREASES FLOW FROM OUTLET PORT "B"
 LEFT HAND ROTATION PUMP (CCW)
 -CLOCKWISE PINTLE ROTATION INCREASES FLOW FROM OUTLET PORT "A"
 -COUNTERCLOCKWISE PINTLE ROTATION INCREASES FLOW FROM OUTLET PORT "B"
 -PILOT PRESSURE TO PILOT PORT "B" INCREASES FLOW FROM OUTLET PORT "A"
 -PILOT PRESSURE TO PILOT PORT "A" INCREASES FLOW FROM OUTLET PORT "B"

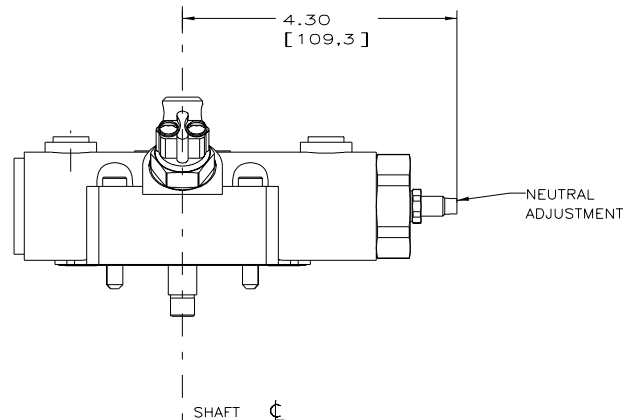
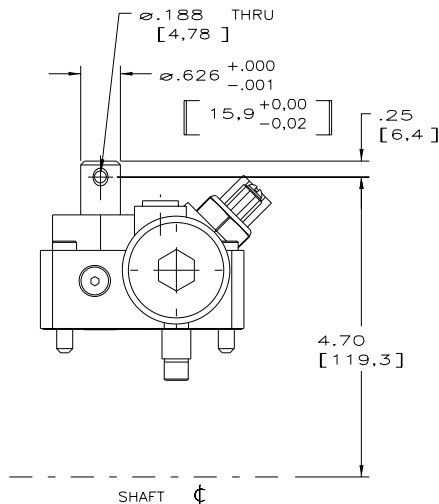
CENTER ASSIST CONTROL



MECHANICAL



HYDRAULIC



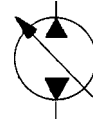
E60330-005 sh. 3 of 6



**PUMP, VARIABLE DELIVERY
PVWC 011, 014 & 022
"A4"**

ENGINEERING

4

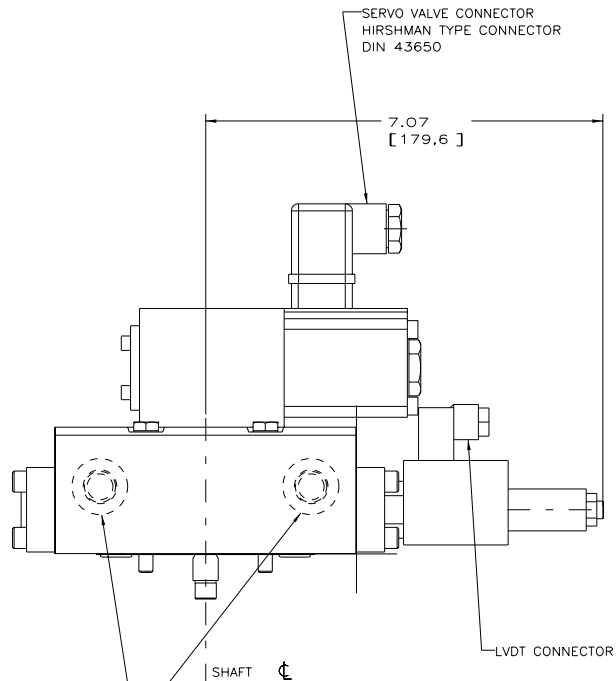
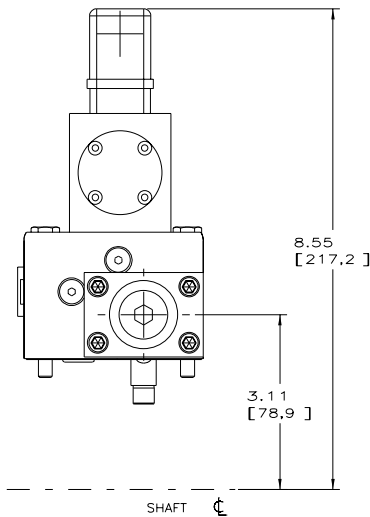
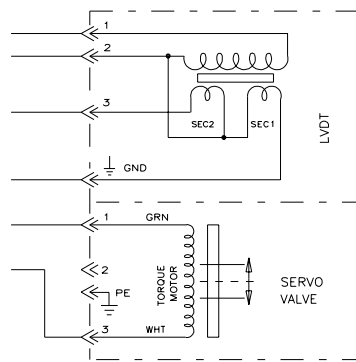
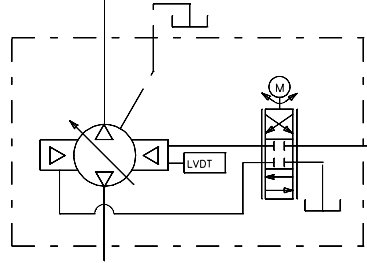
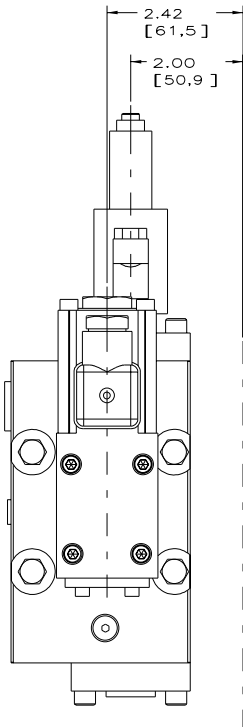


HYDROSTATIC

Installation Drawing

SAE "A" MOUNTING

VM CONTROL



CONTROL PRESSURE PORTS (OPPOSITE SIDE)
#6 SAE STR THD CONN SUPPLY CONTROL PRESSURE
TO EITHER

E60330-005 sh. 4 of 6

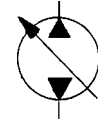


**PUMP, VARIABLE DELIVERY
PVWC 011, 014 & 022
"A4"**

ENGINEERING

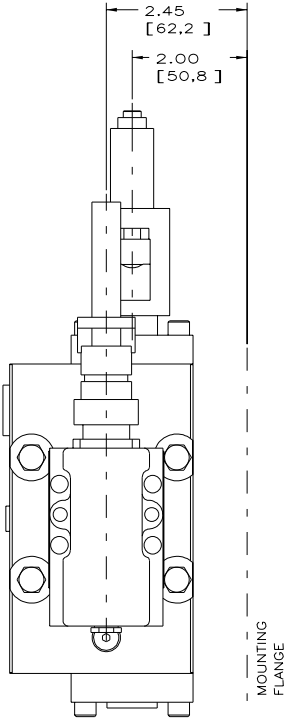
5

HYDROSTATIC

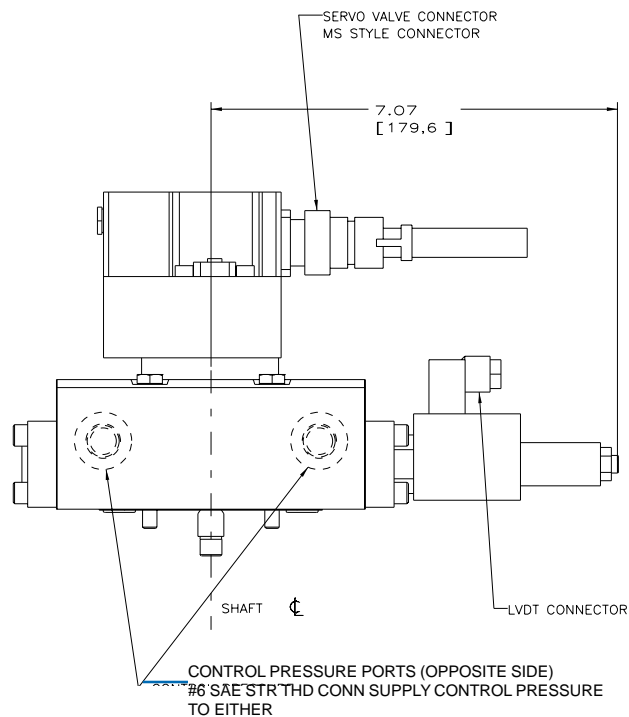
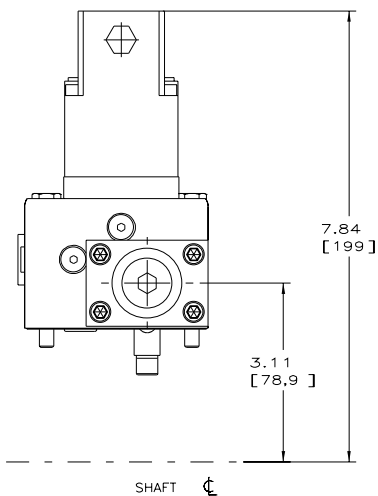
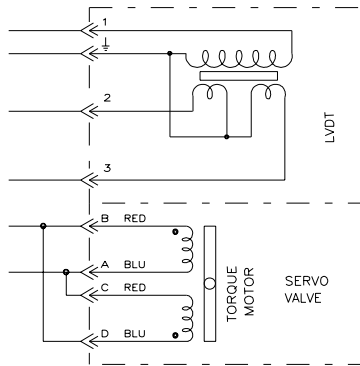
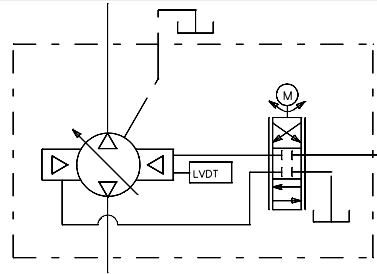


Installation Drawing

SAE "A" MOUNTING



VS CONTROL



E60330-005 sh. 5 of 6

Telephone: (414) 327-1700
Fax: (414) 327-0532

OILGEAR
2300 So. 51st. Street
Milwaukee, WI USA 53219

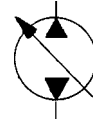
Revised: March, 2004
DS-47018-D



**PUMP, VARIABLE DELIVERY
PVWC 011, 014 & 022
"A4"**

ENGINEERING

6



HYDROSTATIC

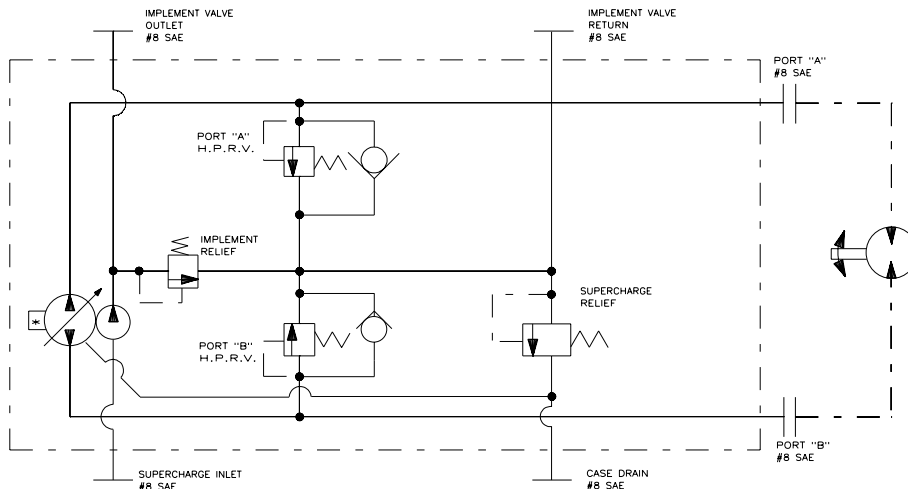
Installation Drawing

SAE "A" MOUNTING

| PVWC SPECIFICATIONS | PUMP MODEL | | |
|--|--|--|--|
| | PVWC-011 | PVWC-014 | PVWC-022 |
| MAX PISTON PUMP DISPLACEMENT | 0.66 CIPR (10.8 CC/REV) | 0.86 CIPR (14.1 CC/REV) | 1.35 CIPR (22.1 CC/REV) |
| OPERATING PRESSURE RATED CONTINUOUS MAX INTERMITTENT (10% OF DUTY) PEAK | 4000 PSI (275 BAR) 4500 PSI (310 BAR) 5000 PSI (350 BAR) | 4000 PSI (275 BAR) 4500 PSI (310 BAR) 5000 PSI (350 BAR) | 3000 PSI (206 BAR) 3500 PSI (241 BAR) 5000 PSI (350 BAR) |
| OUTPUT FLOW (SEE NOTE 1) (@ 1800 RPM & RATED CONT. PRESSURE) | 4.1 GPM (15.5 L/MIN) | 5.4 GPM (20.4 L/MIN) | 8.5 GPM (32.2 L/MIN) |
| INPUT SHAFT SPEED MINIMUM CONTINUOUS INTERMITTENT | 600 RPM 3600 RPM 4000 RPM | 600 RPM 3600 RPM 4000 RPM | 600 RPM 3600 RPM 4000 RPM |
| CHARGE PRESSURE (@ 1800 RPM) NOMINAL MINIMUM | 75 PSI (5 BAR) 30 PSI (2 BAR) | 75 PSI (5 BAR) 30 PSI (2 BAR) | 75 PSI (5 BAR) 30 PSI (2 BAR) |
| CASE PRESSURE MAX CONTINUOUS MAX INTERMITTENT | 15 PSI (1 BAR) 100 PSI (7 BAR) | 15 PSI (1 BAR) 100 PSI (7 BAR) | 15 PSI (1 BAR) 100 PSI (7 BAR) |
| HYDRAULIC FLUID TEMP (@ PUMP INLET) MINIMUM MAXIMUM | -40°F (40°C) 200°F (95°C) | -40°F (40°C) 200°F (95°C) | -40°F (40°C) 200°F (95°C) |
| CHARGE PUMP DISPLACEMENT (OPTIONAL) | .425 CIPR (7 CC/REV) | .425 CIPR (7 CC/REV) | .425 CIPR (7 CC/REV) |
| OPERATING PRESSURE RATED CONTINUOUS MAX INTERMITTENT (10% OF DUTY) | 1000 PSI (69 BAR) 1450 PSI (100 BAR) | 1000 PSI (69 BAR) 1450 PSI (100 BAR) | 1000 PSI (69 BAR) 1450 PSI (100 BAR) |

NOTE 1: OUTPUT FLOW BASED ON ISO 46 HYDRAULIC FLUID @ 125°F

PVWC PUMP



E60330-005 sh. 6 of 6

Revised: March, 2004
DS-47018-D

OILGEAR
2300 So. 51st. Street
Milwaukee, WI USA 53219

Telephone: (414) 327-1700
Fax: (414) 327-0532