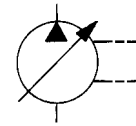


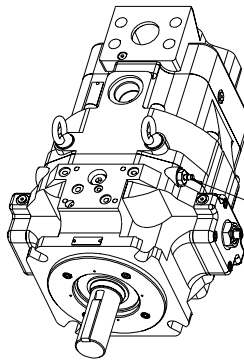
PVV-200 or 250



Installation Drawing

Basic Pump without Control - Side Ported, ISO Mounting

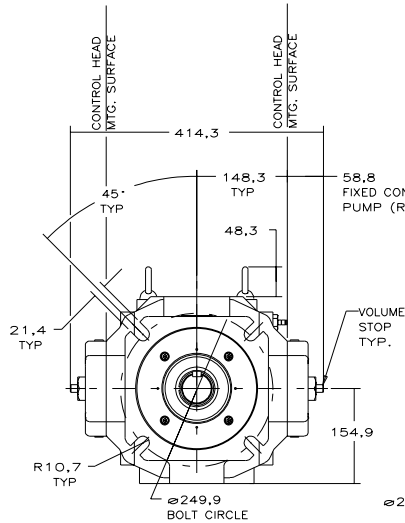
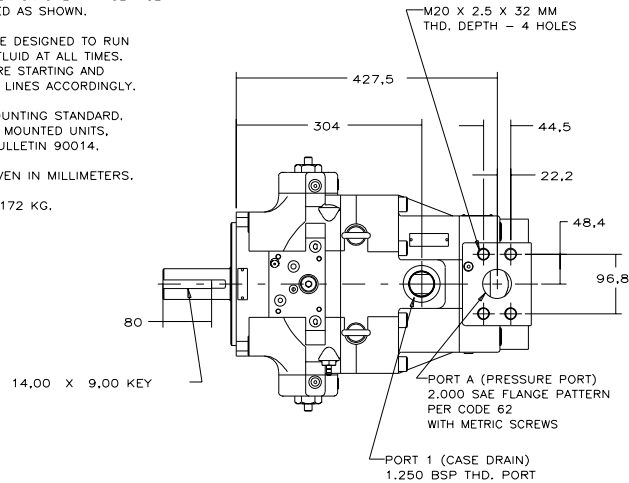
PVV-200-B1B
PVV-250-B1B



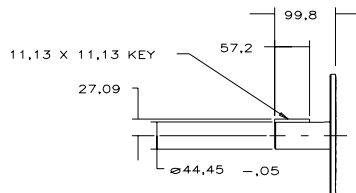
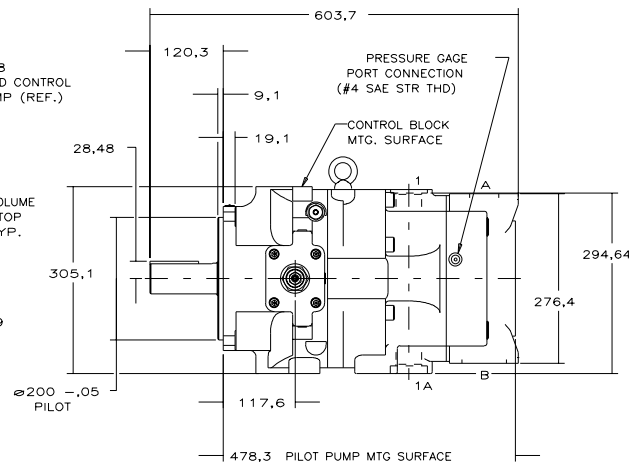
- NOTES:
1. PUMPS DESIGNED FOR ONE-WAY SERVICE ARE DIMENSIONED AS SHOWN.
 2. THESE UNITS ARE DESIGNED TO RUN CASE FULL OF FLUID AT ALL TIMES. FILL CASE BEFORE STARTING AND CONNECT DRAIN LINES ACCORDINGLY.
 3. HORIZONTAL MOUNTING STANDARD. FOR VERTICALLY MOUNTED UNITS, SEE OILGEAR BULLETIN 90014.
 4. DIMENSIONS GIVEN IN MILLIMETERS.
 5. NET WEIGHT - 172 KG.

STROKE INDICATOR

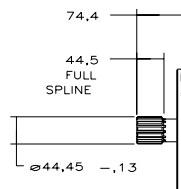
14,00 X 9,00 KEY



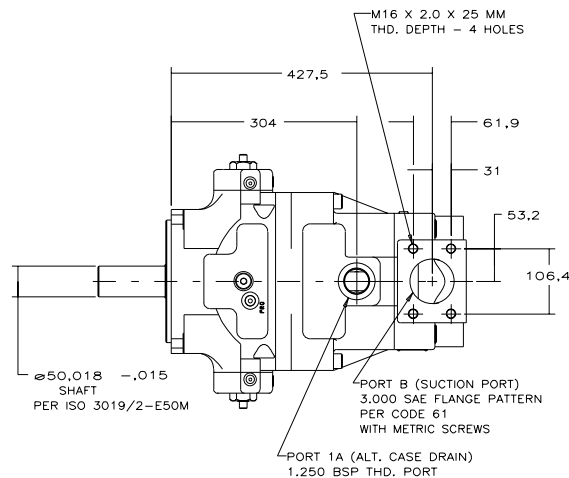
ISO 200 4-BOLT MTC. PATTERN
PER ISO 3019/2-200B4HW



OPTIONAL SAE F
KEYED SHAFT (CODE 44-1)

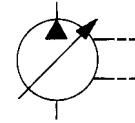


OPTIONAL SAE F
SPLINED SHAFT (CODE 44-4)



519103-301 87

PVV-200 or 250

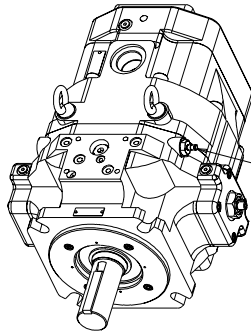


Installation Drawing

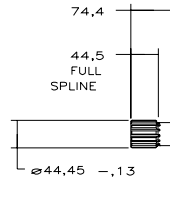
Basic Pump without Control - Rear Ported, ISO Mounting

PVV-200-B1B
PVV-250-B1B

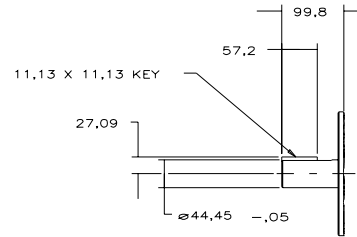
- NOTES:
1. PUMPS DESIGNED FOR ONE-WAY SERVICE ARE DIMENSIONED AS SHOWN.
 2. THESE UNITS ARE DESIGNED TO RUN CASE FULL OF FLUID AT ALL TIMES. FILL CASE BEFORE STARTING AND CONNECT DRAIN LINES ACCORDINGLY.
 3. HORIZONTAL MOUNTING STANDARD. FOR VERTICALLY MOUNTED UNITS, SEE OILGEAR BULLETIN 90014.
 4. DIMENSIONS GIVEN IN MILLIMETERS.
 5. NET WEIGHT - 161 KG.



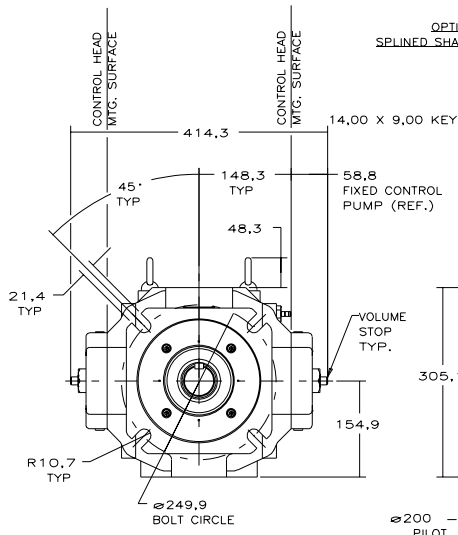
STROKE INDICATOR



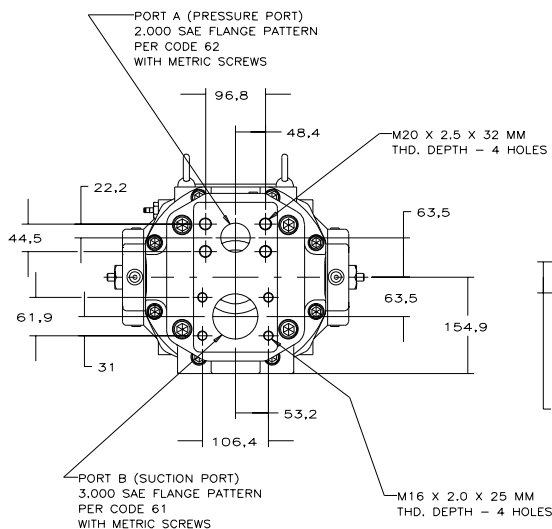
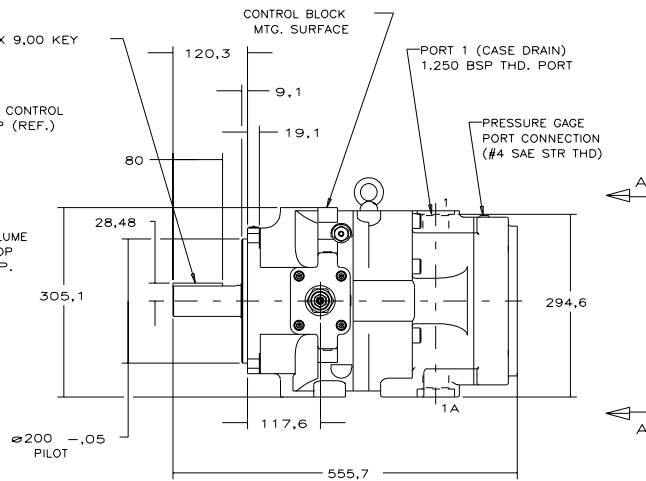
OPTIONAL SAE F
SPLINED SHAFT (CODE 44-4)



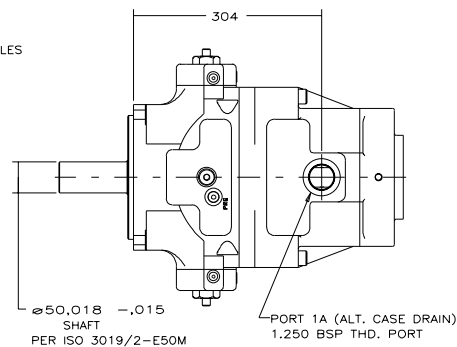
OPTIONAL SAE F
KEYFED SHAFT (CODE 44-1)



ISO 200 4-BOLT MTG. PATTERN
PER ISO 3019/2-200B4HW

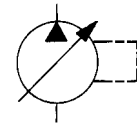


VIEW A-A



519103-301 543

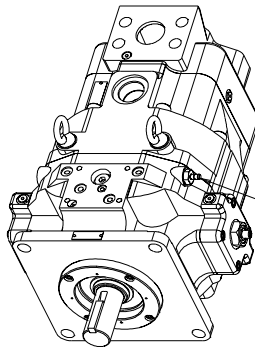
PVV-200 or 250



Installation Drawing

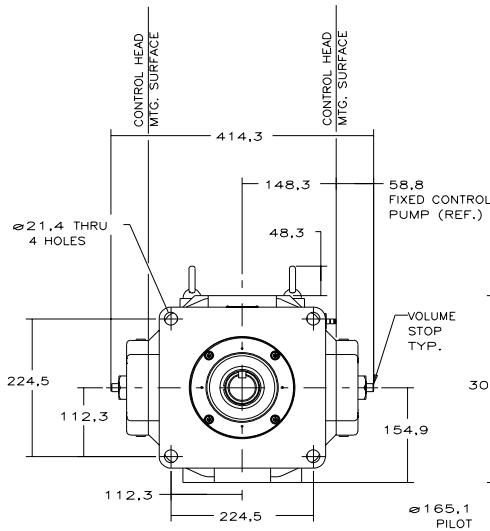
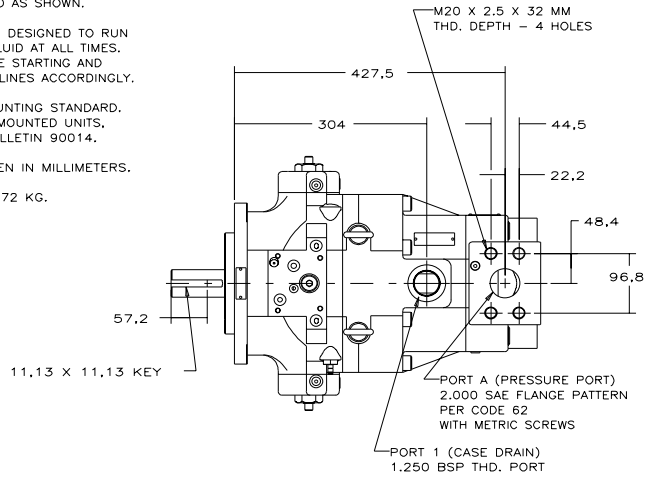
Basic Pump without Control - Side Ported, SAE Mounting

PVV-200-B1A
PVV-250-B1A

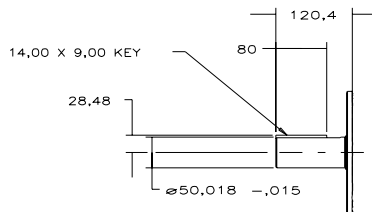


- NOTES:
1. PUMPS DESIGNED FOR ONE-WAY SERVICE ARE DIMENSIONED AS SHOWN.
 2. THESE UNITS ARE DESIGNED TO RUN CASE FULL OF FLUID AT ALL TIMES. FILL CASE BEFORE STARTING AND CONNECT DRAIN LINES ACCORDINGLY.
 3. HORIZONTAL MOUNTING STANDARD. FOR VERTICALLY MOUNTED UNITS, SEE OILGEAR BULLETIN 90014.
 4. DIMENSIONS GIVEN IN MILLIMETERS.
 5. NET WEIGHT - 172 KG.

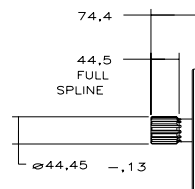
STROKE INDICATOR



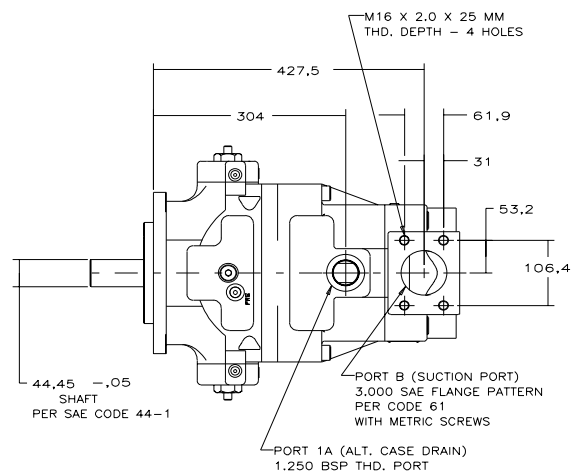
SAE F 4-BOLT MTC. PATTERN
PER CODE 165-4



OPTIONAL ISO KEYED
SHAFT (ISO 3019/2-E50M)

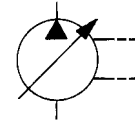


OPTIONAL SAE E
SPLINED SHAFT (CODE 44-4)



519103-302 8/1

PVV-200 or 250

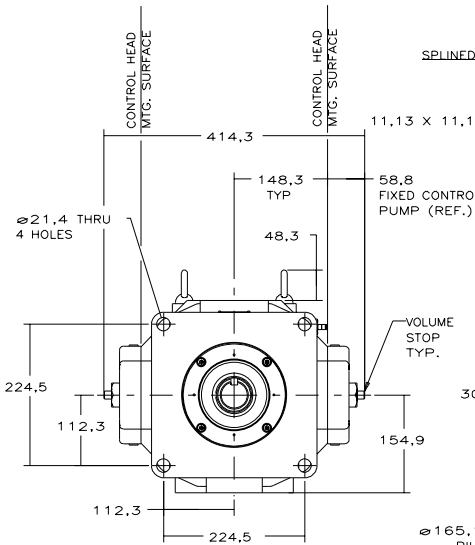
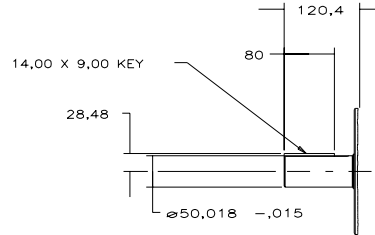
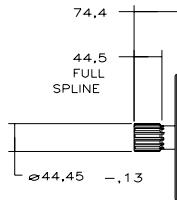
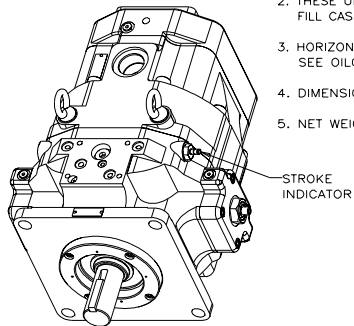


Installation Drawing

Basic Pump without Control - Rear Ported, SAE Mounting

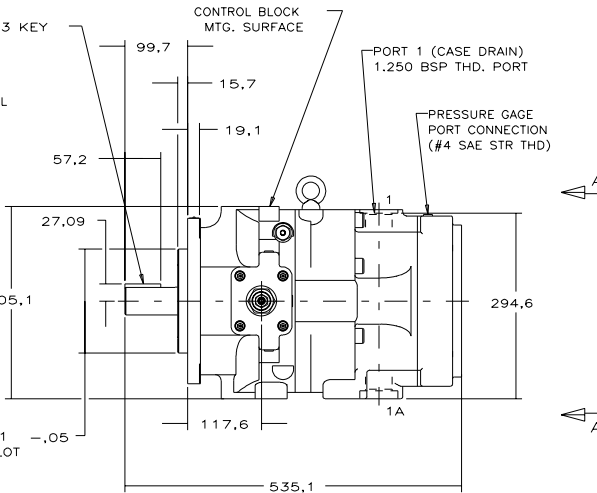
PVV-200-B1A
PVV-250-B1A

- NOTES:
1. PUMPS DESIGNED FOR ONE-WAY SERVICE ARE DIMENSIONED AS SHOWN.
 2. THESE UNITS ARE DESIGNED TO RUN CASE FULL OF FLUID AT ALL TIMES. FILL CASE BEFORE STARTING AND CONNECT DRAIN LINES ACCORDINGLY.
 3. HORIZONTAL MOUNTING STANDARD. FOR VERTICALLY MOUNTED UNITS, SEE OILGEAR BULLETIN 90014.
 4. DIMENSIONS GIVEN IN MILLIMETERS.
 5. NET WEIGHT - 161 KG.

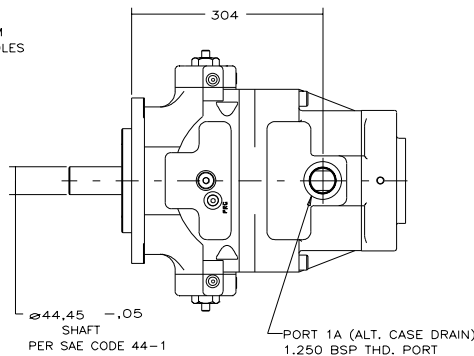
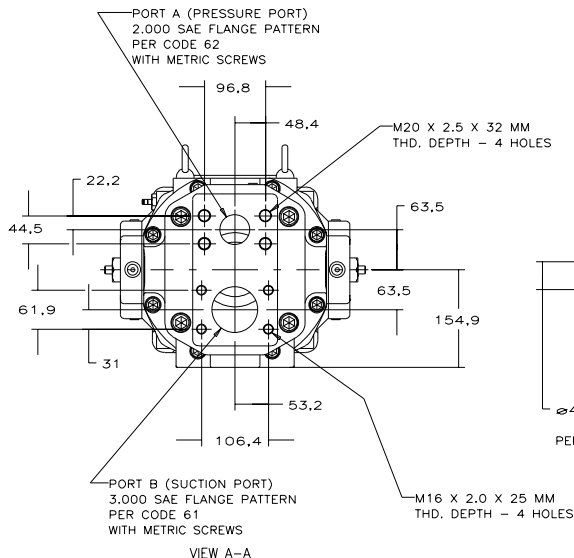


OPTIONAL SAE E
SPLINED SHAFT (CODE 44-4)

OPTIONAL ISO KEYED
SHAFT (ISO 3019/2-E50M)



SAE E 4-BOLT MTG. PATTERN
PER CODE 165-4



519103-302