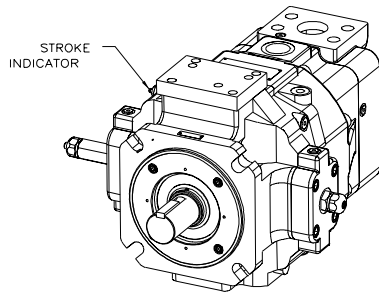
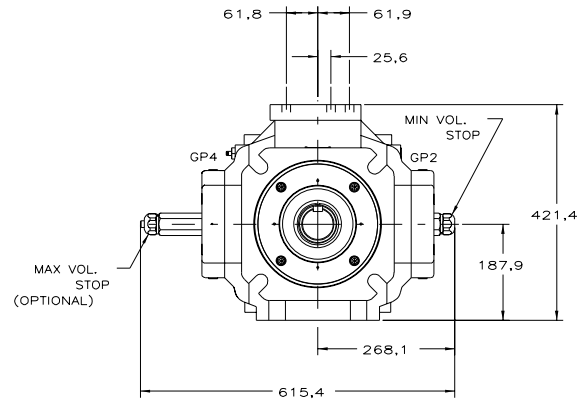
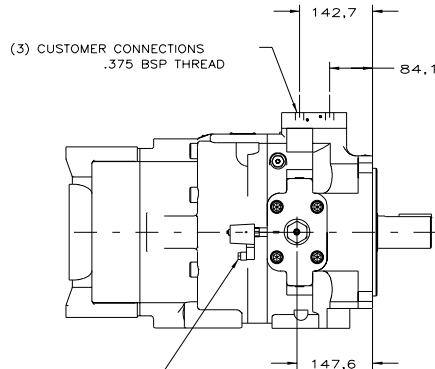
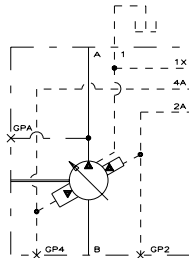

Installation Drawing
Remote Servo Valve Control

 PVV-540-BIB PUMP
WITH V-R CONTROL

NOTES:

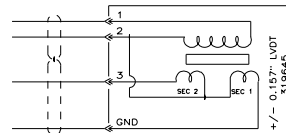
1. PUMPS DESIGNED FOR ONE-WAY SERVICE ARE DIMENSIONED AS SHOWN.
2. THESE UNITS ARE DESIGNED TO RUN CASE FULL OF FLUID AT ALL TIMES. FILL CASE BEFORE STARTING AND CONNECT DRAIN LINES ACCORDINGLY.
3. NUMERICAL DIMENSIONS ARE GIVEN IN MILLIMETERS.
4. NET WEIGHT- 362 KG SIDE PORTED (SHOWN)
338 KG REAR PORTED
5. FOR BASIC PUMP DIMENSIONS SEE:
DS-M47940A
6. LEFTHAND (CCW) VERSION IS SHOWN. FOR RIGHTHAND (CW) VERSION, THE CONTROL CAPS, VOLUME STOPS, AND STROKE INDICATOR WILL BE ON THE OPPOSITE SIDES, ASSUMING THAT THE OUTLET IS ON THE TOP.


 LVDT ELECTRICAL CONNECTION
-RECOMMENDED CABLE
ALPHA 5154C OR EQUIVALENT
4 CONDUCTOR CABLE

519256-303 sh. 2



HYDRAULIC CIRCUIT



ELECTRICAL CIRCUIT