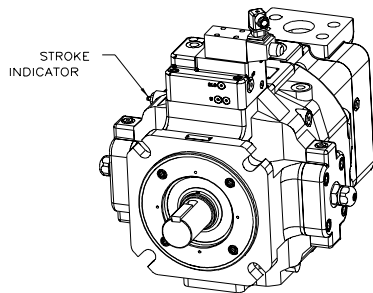


Installation Drawing

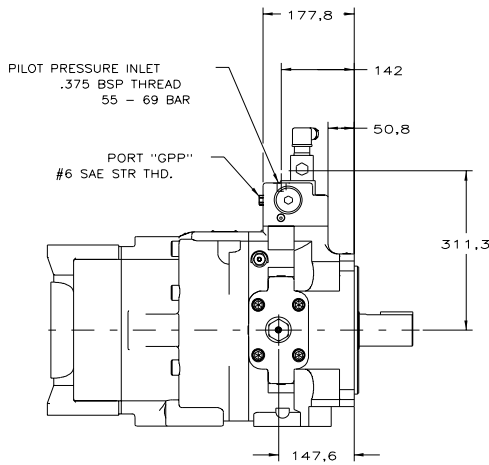
Solenoid Operated Two Volume Control

PVV-540-BIB PUMP
WITH R-U CONTROL

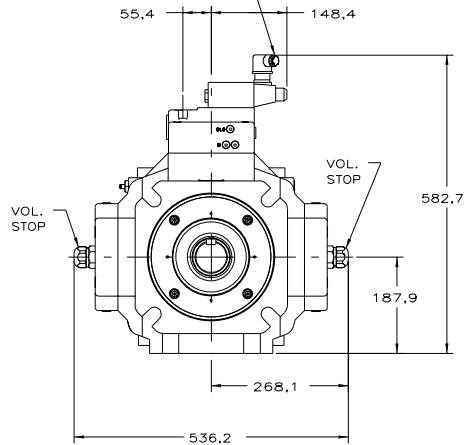


NOTES:

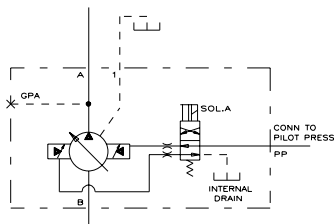
1. PUMPS DESIGNED FOR ONE-WAY SERVICE ARE DIMENSIONED AS SHOWN.
2. THESE UNITS ARE DESIGNED TO RUN CASE FULL OF FLUID AT ALL TIMES. FILL CASE BEFORE STARTING AND CONNECT DRAIN LINES ACCORDINGLY.
3. NUMERICAL DIMENSIONS ARE GIVEN IN MILLIMETERS.
4. NET WEIGHT- 372 KG SIDE PORTED (SHOWN)
347 KG REAR PORTED
5. FOR BASIC PUMP DIMENSIONS SEE:
DS-M47940A
6. PUMP WILL STROKE TO MINIMUM VOLUME SETTING WHEN SOLENOID IS DE-ENERGIZED.
7. LEFTHAND (CCW) VERSION IS SHOWN. FOR RIGHTHAND (CW) VERSION, THE STROKE INDICATOR WILL BE ON THE OPPOSITE SIDE, ASSUMING THAT THE OUTLET IS ON THE TOP.



SOLENOID VALVE ELECTRICAL
CONNECTION: DIN 43650



519256-304



HYDRAULIC CIRCUIT