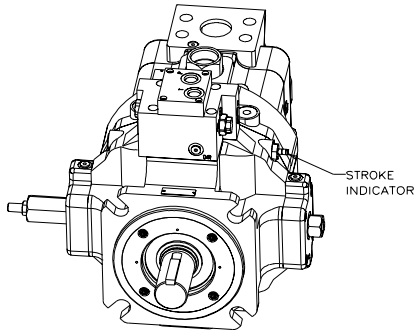


Installation Drawing Remote Pressure Compensator or Remote w/Horsepower Limit Controls

PVV-200/250-BIB PUMP (SHOWN)
 PVV-200/250-B1A PUMP
 WITH P-RNN CONTROL (SHOWN)
 AND P-RNN/H CONTROL



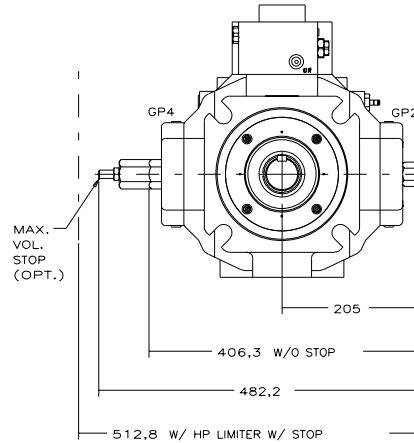
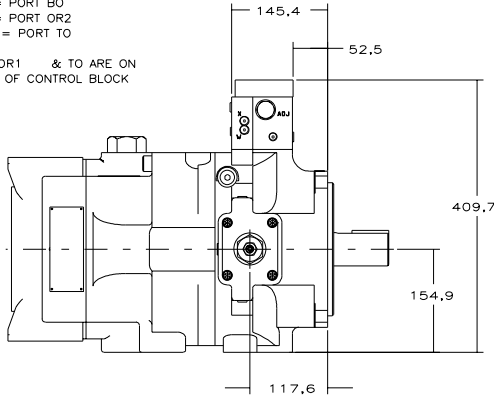
NOTES:

1. PUMPS DESIGNED FOR ONE-WAY SERVICE ARE DIMENSIONED AS SHOWN.
2. THESE UNITS ARE DESIGNED TO RUN CASE FULL OF FLUID AT ALL TIMES. FILL CASE BEFORE STARTING AND CONNECT DRAIN LINES ACCORDINGLY.
3. NUMERICAL DIMENSIONS ARE GIVEN IN MILLIMETERS.
4. NET WEIGHT: P-RNN CONTROL
 181 KG SIDE PORTED (SHOWN)
 170 KG REAR PORTED
 WITH HORSEPOWER LIMITER ADD 9 KG
5. FOR BASIC PUMP DIMENSIONS SEE: DS-M47939
6. LEFTHAND (CCW) VERSION IS SHOWN. FOR RIGHTHAND (CW) VERSION, THE CONTROL CAPS AND VOLUME STOPS WILL BE ON THE OPPOSITE SIDES, ASSUMING THAT THE OUTLET IS ON THE TOP.

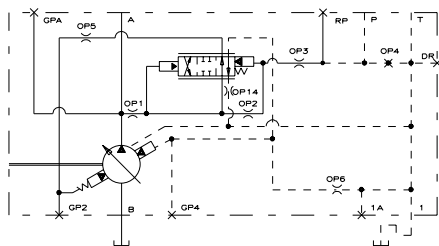
ORIFICE LOCATIONS:

- OP-1 & OP-2 = PORT OR1
- OP-3 & OP-4 = IN 4-WAY VALVE
- OP-5 = PORT B0
- OP-6 = PORT OR2
- OP-14 = PORT T0

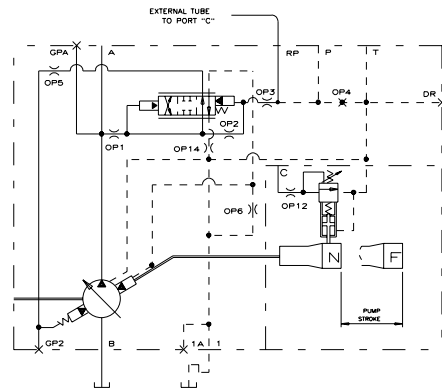
PORTS OR1 & T0 ARE ON BOTTOM OF CONTROL BLOCK



**P-RNN CONTROL
 REMOTE CONTROL**



**P-RNN/H CONTROL
 REMOTE CONTROL W/ HORSEPOWER LIMITER**



519103-306
 SH11
 OP11