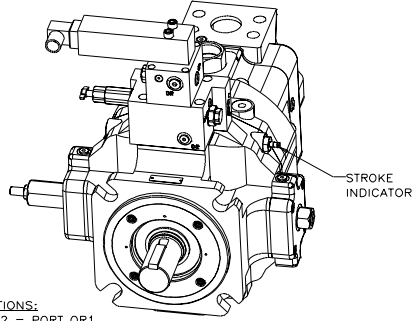


Installation Drawing Electronic Proportional Pressure Compensator Controls

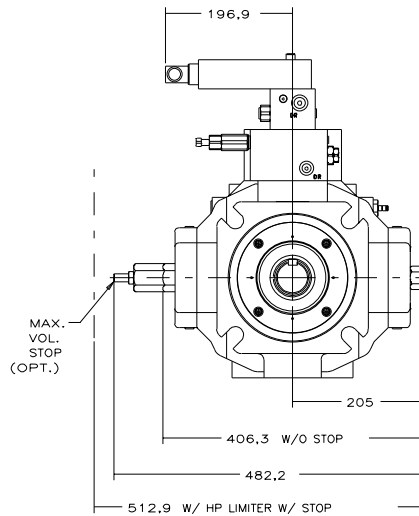
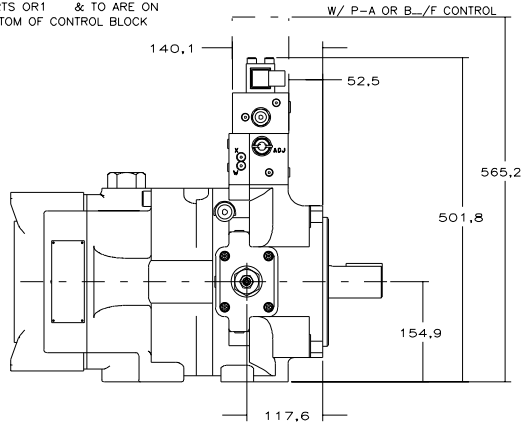
PVV-200/250-BIB PUMP (SHOWN)
 PVV-200/250-B1A PUMP
 WITH P-A OR B- CONTROL



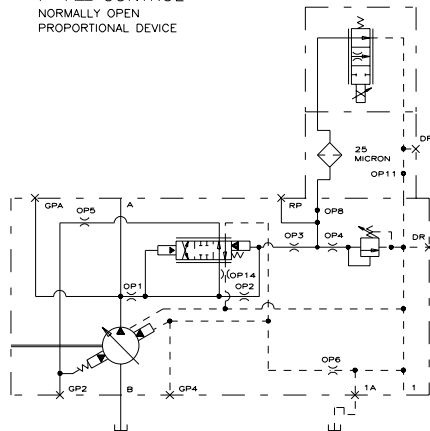
- NOTES:
1. PUMPS DESIGNED FOR ONE-WAY SERVICE ARE DIMENSIONED AS SHOWN.
 2. THESE UNITS ARE DESIGNED TO RUN CASE FULL OF FLUID AT ALL TIMES. FILL CASE BEFORE STARTING AND CONNECT DRAIN LINES ACCORDINGLY.
 3. NUMERICAL DIMENSIONS ARE GIVEN IN MILLIMETERS.
 4. NET WEIGHT: P-A OR B- CONTROL
 186 KG SIDE PORTED (SHOWN)
 175 KG REAR PORTED
 W/ HP LIMITER ADD 9 KG
 W/ LOAD SENSE ADD 4.5 KG
 5. FOR BASIC PUMP DIMENSIONS SEE: DS-M47939
 6. LEFTHAND (CCW) VERSION IS SHOWN. FOR RIGHTHAND (CW) VERSION, THE CONTROL CAPS AND VOLUME STOPS WILL BE ON THE OPPOSITE SIDES, ASSUMING THAT THE OUTLET IS ON THE TOP.

ORIFICE LOCATIONS:
 OP-1 & OP-2 = PORT OR1
 OP-3 & OP-4 = IN 4-WAY VALVE
 OP-5 = PORT B0
 OP-6 = PORT OR2
 OP-14 = PORT T0

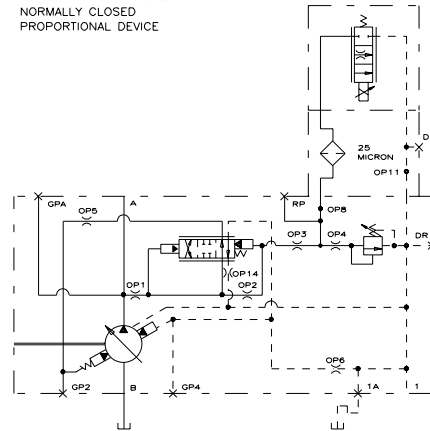
PORTS OR1 & T0 ARE ON BOTTOM OF CONTROL BLOCK



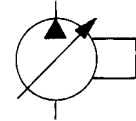
P-A- CONTROL
 NORMALLY OPEN
 PROPORTIONAL DEVICE



P-B- CONTROL
 NORMALLY CLOSED
 PROPORTIONAL DEVICE



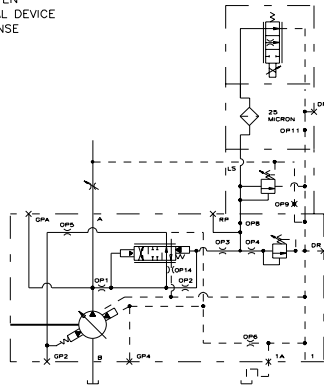
519 105-306 349 OP11



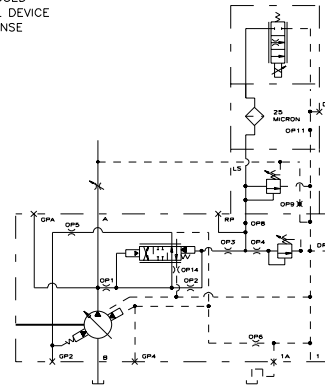
Circuits

Electronic Proportional Pressure Compensator Controls

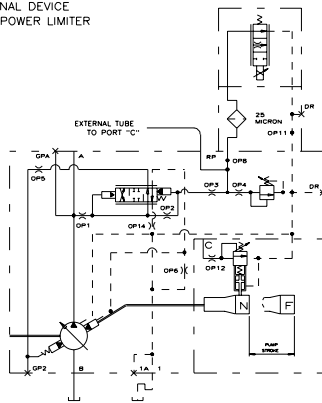
P-A_/F CONTROL
 NORMALLY OPEN
 PROPORTIONAL DEVICE
 W/ LOAD SENSE



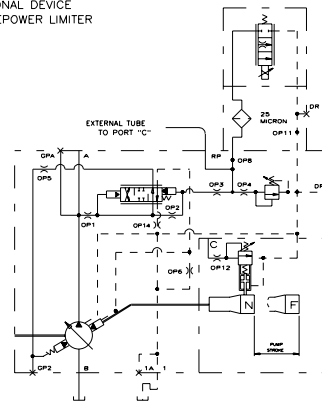
P-B_/F CONTROL
 NORMALLY CLOSED
 PROPORTIONAL DEVICE
 W/ LOAD SENSE



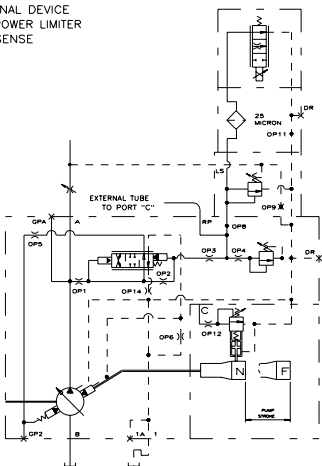
P-A_/H CONTROL
 NORMALLY OPEN
 PROPORTIONAL DEVICE
 W/ HORSEPOWER LIMITER



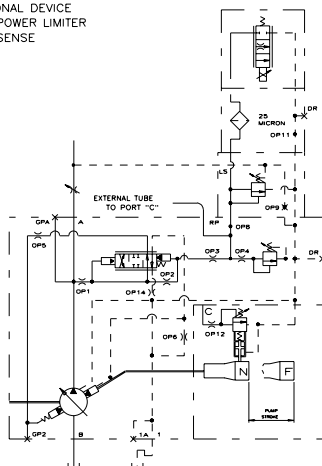
P-B_/H CONTROL
 NORMALLY CLOSED
 PROPORTIONAL DEVICE
 W/ HORSEPOWER LIMITER



P-A_/G CONTROL
 NORMALLY OPEN
 PROPORTIONAL DEVICE
 W/ HORSEPOWER LIMITER
 & LOAD SENSE



P-B_/G CONTROL
 NORMALLY CLOSED
 PROPORTIONAL DEVICE
 W/ HORSEPOWER LIMITER
 & LOAD SENSE



519103-306 OP10
 519103-306 OP11