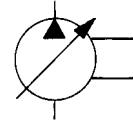




PUMP, VARIABLE DELIVERY
PVV-200 or 250
"P-1NN/H" or "P-C--/H" CONTROL

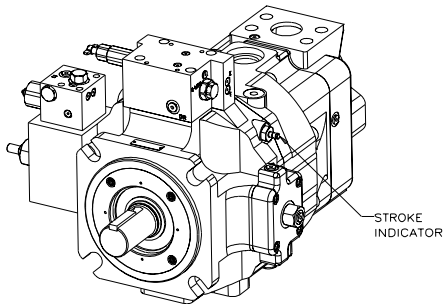
ENGINEERING

1



Installation Drawing Single Pressure Compensator or Soft Start Control w/Horsepower Limit

PVV-200/250-BIB PUMP (SHOWN)
 PVV-200/250-B1A PUMP
 WITH P-1NN/H CONTROL (SHOWN)
 AND P-C--/H CONTROL



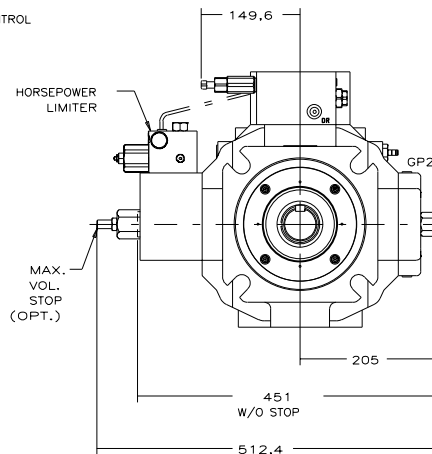
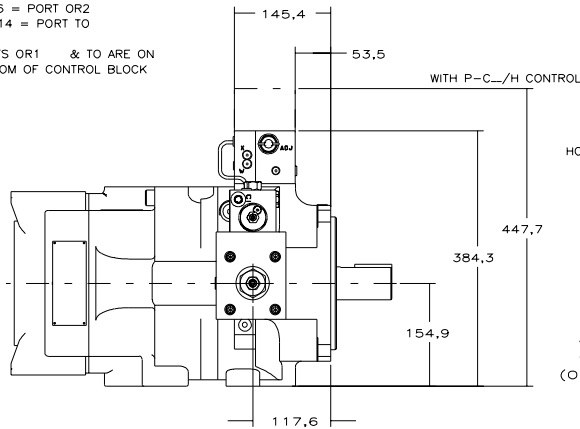
NOTES:

1. PUMPS DESIGNED FOR ONE-WAY SERVICE ARE DIMENSIONED AS SHOWN.
2. THESE UNITS ARE DESIGNED TO RUN CASE FULL OF FLUID AT ALL TIMES. FILL CASE BEFORE STARTING AND CONNECT DRAIN LINES ACCORDINGLY.
3. NUMERICAL DIMENSIONS ARE GIVEN IN MILLIMETERS.
4. NET WEIGHT: P-1NN/H CONTROL
 188 KG SIDE PORTED (SHOWN)
 177 KG REAR PORTED
 P-C--/H CONTROL
 193 KG SIDE PORTED
 181 KG REAR PORTED
5. FOR BASIC PUMP DIMENSIONS SEE: DS-M47939
6. LEFTHAND (CCW) VERSION IS SHOWN. FOR RIGHTHAND (CW) VERSION, THE CONTROL CAPS AND VOLUME STOPS WILL BE ON THE OPPOSITE SIDES, ASSUMING THAT THE OUTLET IS ON THE TOP.
7. FOR HP CONTROLS, "RP" ON THE CONTROL BLOCK IS CONNECTED TO "C" ON THE HP MODULE WITH AN EXTERNAL TUBE.

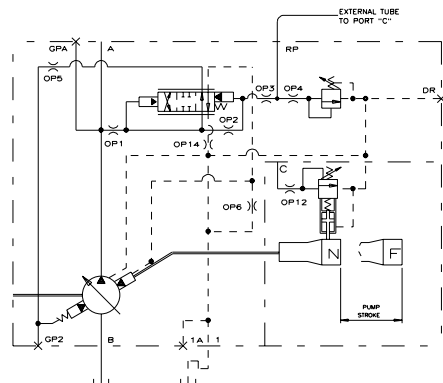
ORIFICE LOCATIONS:

- OP-1 & OP-2 = PORT OR1
- OP-3 & OP-4 = IN 4-WAY VALVE
- OP-5 = PORT B0
- OP-6 = PORT OR2
- OP-14 = PORT T0

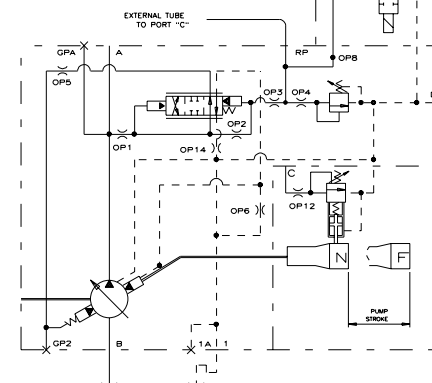
PORTS OR1 & T0 ARE ON BOTTOM OF CONTROL BLOCK



P-1NN/H CONTROL
 SINGLE PRESSURE COMPENSATOR CONTROL
 W/ HORSEPOWER LIMITER



P-C--/H CONTROL
 SINGLE PRESSURE SOFT STARTING CONTROL
 W/ HORSEPOWER LIMITER



519103-306 Op11

Telephone: (414) 327-1700
 Fax: (414) 327-0532

OILGEAR
 2300 So. 51st. Street
 Milwaukee, WI USA 53219

Reissued: June, 2004
DS-M47562-B