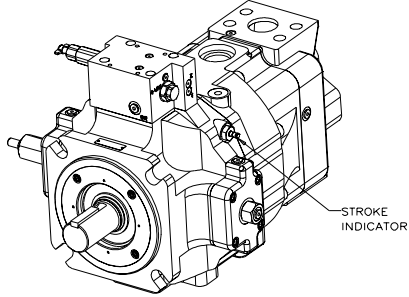


Installation Drawing Single Pressure Compensator or Soft Start Control

PVV-200/250-BIB PUMP (SHOWN)
 PVV-200/250-B1A PUMP
 WITH P-1NN CONTROL (SHOWN)
 AND P-C-- CONTROL



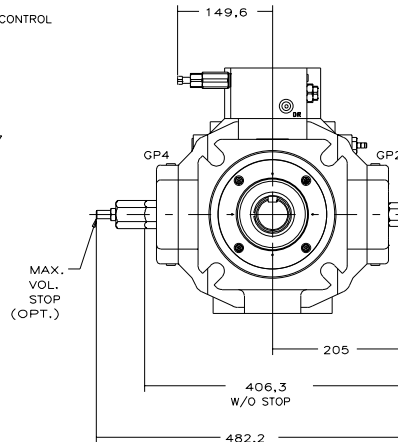
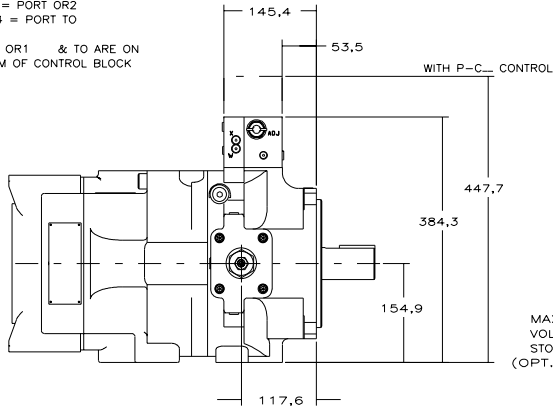
NOTES:

1. PUMPS DESIGNED FOR ONE-WAY SERVICE ARE DIMENSIONED AS SHOWN.
2. THESE UNITS ARE DESIGNED TO RUN CASE FULL OF FLUID AT ALL TIMES. FILL CASE BEFORE STARTING AND CONNECT DRAIN LINES ACCORDINGLY.
3. NUMERICAL DIMENSIONS ARE GIVEN IN MILLIMETERS.
4. NET WEIGHT: P-1NN CONTROL
 179 KG SIDE PORTED (SHOWN)
 168 KG REAR PORTED
 P-C-- CONTROL
 184 KG SIDE PORTED
 172 KG REAR PORTED
5. FOR BASIC PUMP DIMENSIONS SEE: DS-M47939
6. LEFTHAND (CCW) VERSION IS SHOWN. FOR RIGHTHAND (CW) VERSION, THE CONTROL CAPS AND VOLUME STOPS WILL BE ON THE OPPOSITE SIDES, ASSUMING THAT THE OUTLET IS ON THE TOP.

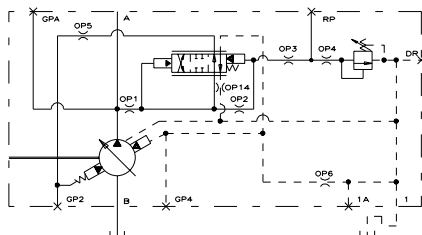
ORIFICE LOCATIONS:

- OP-1 & OP-2 = PORT OR1
- OP-3 & OP-4 = IN 4-WAY VALVE
- OP-5 = PORT BO
- OP-6 = PORT OR2
- OP-14 = PORT TO

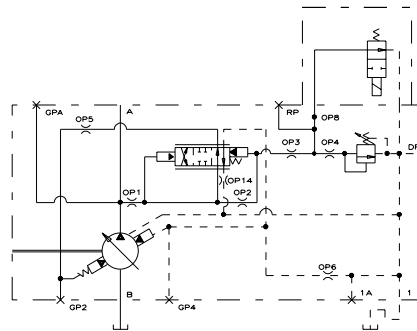
PORTS OR1 & TO ARE ON BOTTOM OF CONTROL BLOCK



P-1NN CONTROL
 SINGLE PRESSURE COMPENSATOR CONTROL



P-C-- CONTROL
 SINGLE PRESSURE SOFT STARTING CONTROL



519103-306 6P11