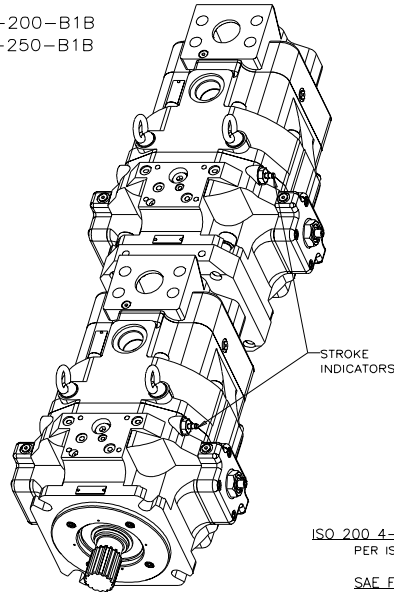


Installation Drawing

Four Bolt Mounting - ISO (without control)

PVV-200-B1B
PVV-250-B1B

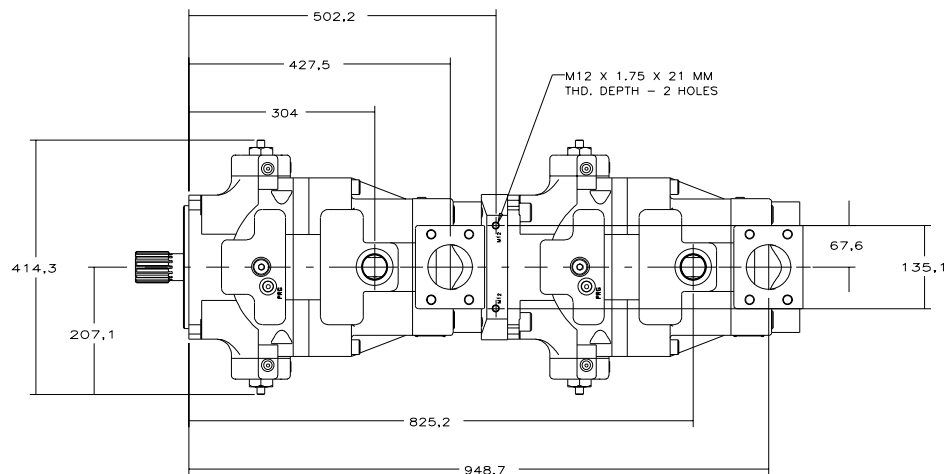
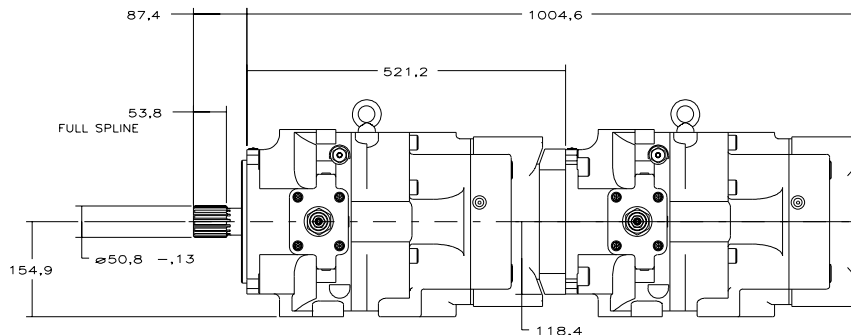


NOTES:

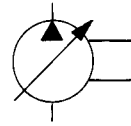
1. PUMPS DESIGNED FOR ONE-WAY SERVICE ARE DIMENSIONED AS SHOWN.
2. THESE UNITS ARE DESIGNED TO RUN CASE FULL OF FLUID AT ALL TIMES. FILL CASE BEFORE STARTING AND CONNECT DRAIN LINES ACCORDINGLY.
3. REAR PUMP MUST BE SUPPORTED IN SOME WAY. TAPPED HOLES IN BOTTOM OF ADAPTER PLATE MAY BE USED FOR THIS PURPOSE.
4. REAR PUMP MAY BE SIDE OR REAR PORTED. (SIDE PORTED SHOWN)
5. DIMENSIONS GIVEN IN MILLIMETERS.
6. NET WEIGHT -
355 KG. (WITH REAR PUMP SIDE PORTED)
344 KG. (WITH REAR PUMP REAR PORTED)
7. FOR BASIC PUMP DIMENSIONS SEE:
DS-M47939

ISO 200 4-BOLT MTG. PATTERN
PER ISO 3019/2-200B4HW

SAE F SPLINED SHAFT
PER CODE 50-4



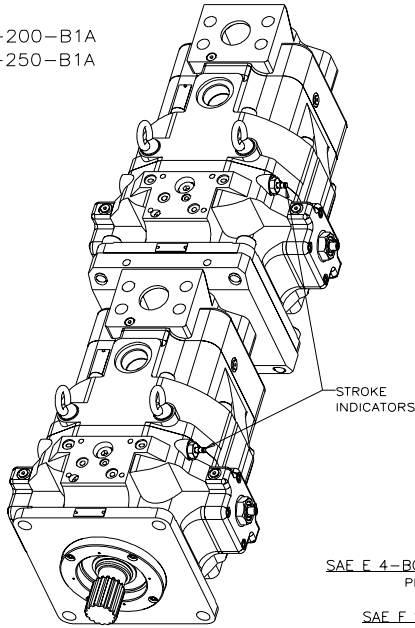
519103-307



Parts Drawing

Four Bolt Mounting - SAE (without control)

PVV-200-B1A
PVV-250-B1A

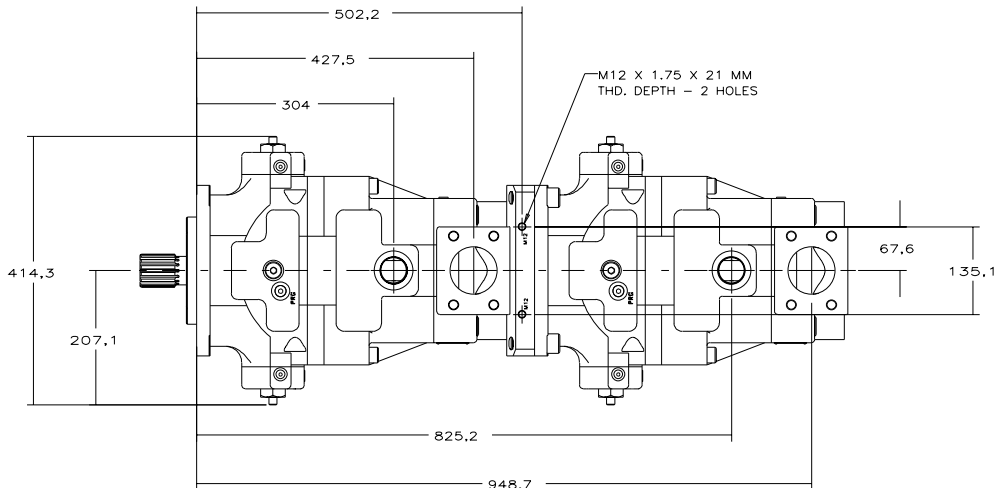
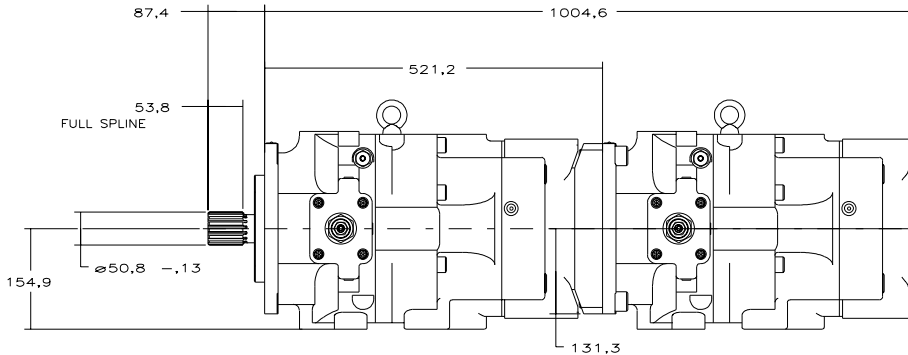


NOTES:

1. PUMPS DESIGNED FOR ONE-WAY SERVICE ARE DIMENSIONED AS SHOWN.
2. THESE UNITS ARE DESIGNED TO RUN CASE FULL OF FLUID AT ALL TIMES. FILL CASE BEFORE STARTING AND CONNECT DRAIN LINES ACCORDINGLY.
3. REAR PUMP MUST BE SUPPORTED IN SOME WAY. TAPPED HOLES IN BOTTOM OF ADAPTER PLATE MAY BE USED FOR THIS PURPOSE.
4. REAR PUMP MAY BE SIDE OR REAR PORTED. (SIDE PORTED SHOWN)
5. DIMENSIONS GIVEN IN MILLIMETERS.
6. NET WEIGHT -
362 KG. (WITH REAR PUMP SIDE PORTED)
351 KG. (WITH REAR PUMP REAR PORTED)
7. FOR BASIC PUMP DIMENSIONS SEE:
DS-M47939

SAE F 4-BOLT MTG. PATTERN
PER CODE 165-4

SAE F SPLINED SHAFT
PER CODE 50-4



519103-307 3/2