

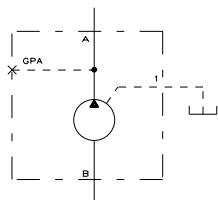
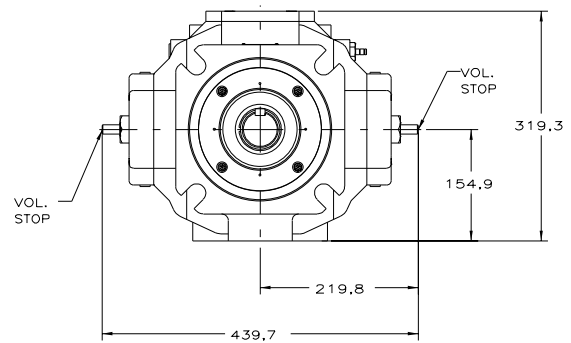
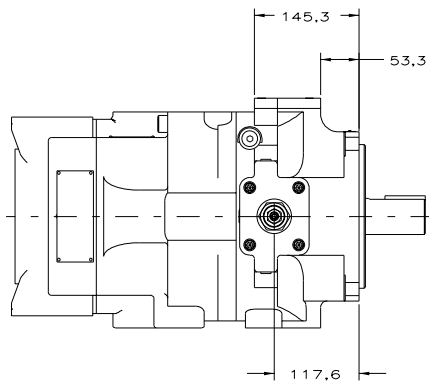
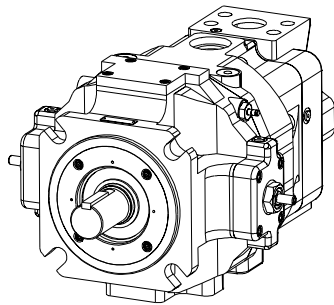
Installation Drawing

(Screw Adjustable) Fixed Volume Control

PVV-200/250-BIB PUMP (SHOWN)
 PVV-200/250-B1A PUMP
 WITH F-CONTROL

NOTES:

1. PUMPS DESIGNED FOR ONE-WAY SERVICE ARE DIMENSIONED AS SHOWN.
2. THESE UNITS ARE DESIGNED TO RUN CASE FULL OF FLUID AT ALL TIMES. FILL CASE BEFORE STARTING AND CONNECT DRAIN LINES ACCORDINGLY.
3. NUMERICAL DIMENSIONS ARE GIVEN IN MILLIMETERS.
4. NET WEIGHT- 175 KG SIDE PORTED (SHOWN)
163 KG REAR PORTED
5. FOR BASIC PUMP DIMENSIONS SEE:
DS-M47939



HYDRAULIC CIRCUIT

519103-305