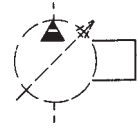
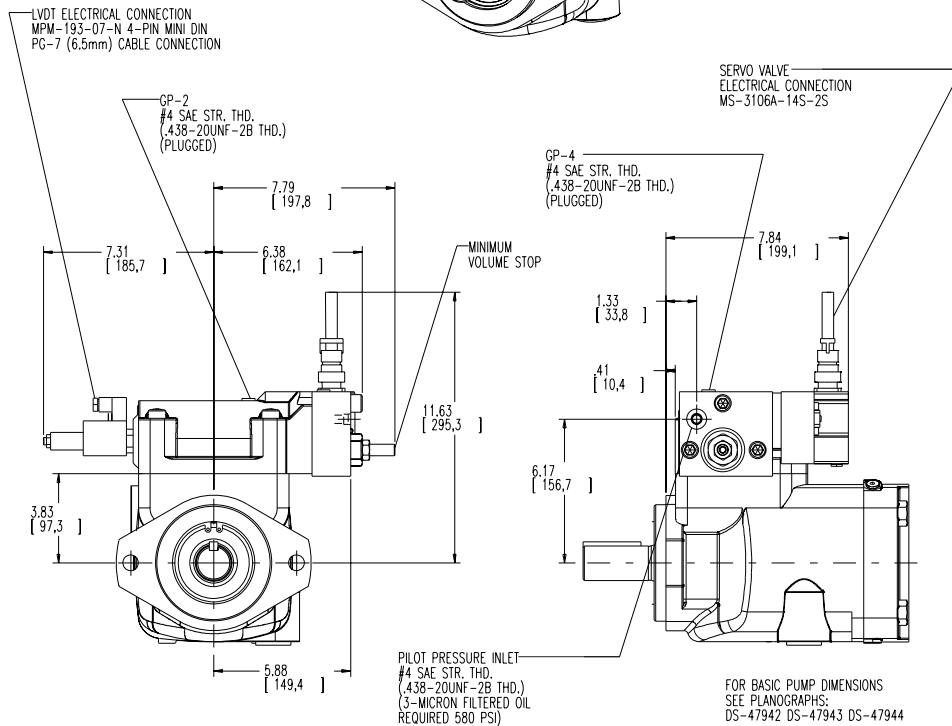
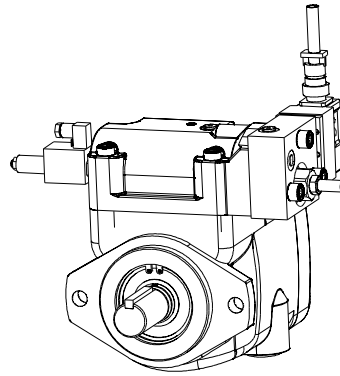
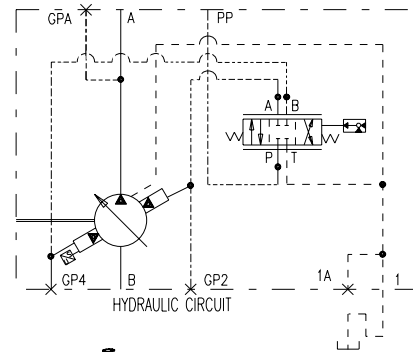
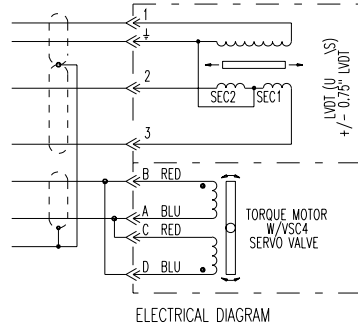


**"V-S" CONTROLS**



**Installation Drawing**

**Servo Valve Control**



515152-216