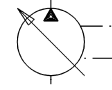


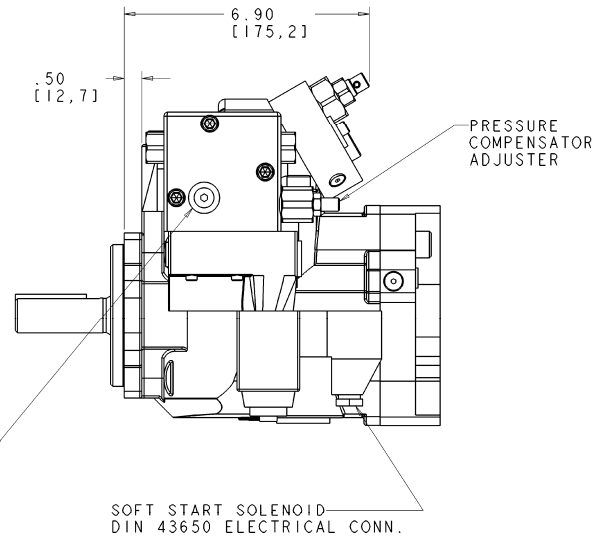
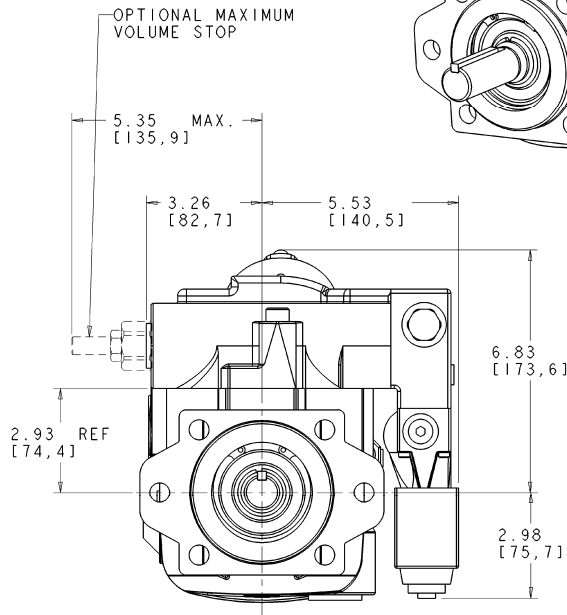
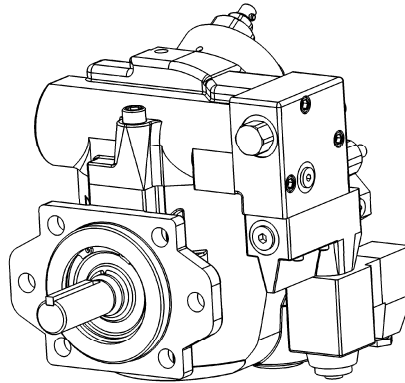
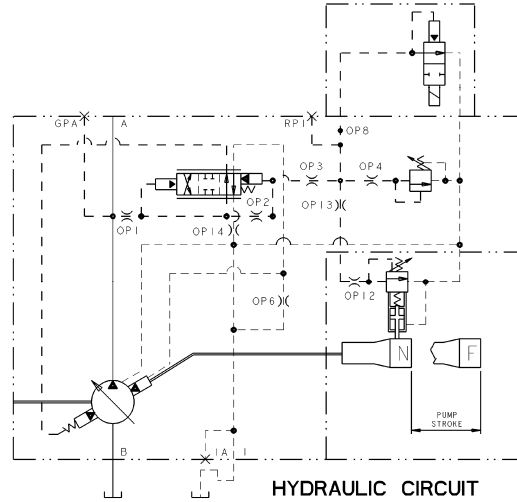
" F1 "

" P-C/H " CONTROL



**INSTALLATION DRAWING**

**Single Pressure Soft Starting Control w/ Horsepower Limiter**



REMOTE PORT RPI  
#4 SAE STRAIGHT THD.  
(PLUGGED)  
(.438-20 UNF-2B TAP)

FOR BASIC PUMP DIMENSIONS  
SEE PLANOGRAPHS;  
DS-47952, DS-47953 & DS-47954

517118-217