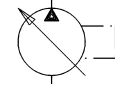


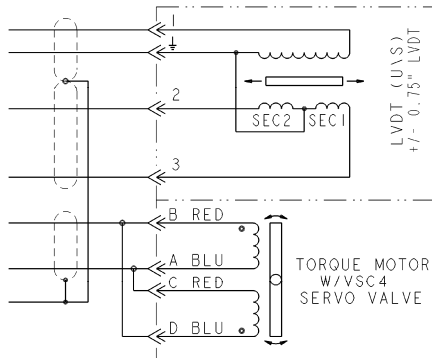
" F1 "

" V-S " CONTROL

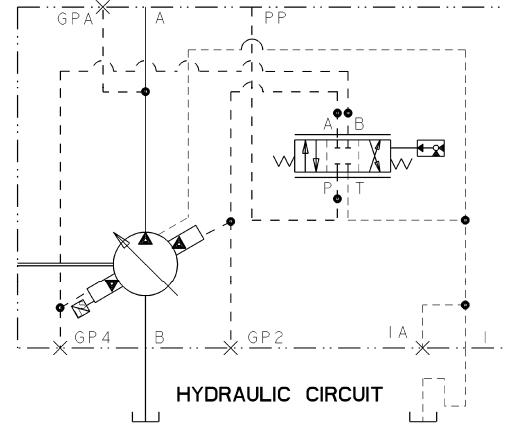


**INSTALLATION DRAWING**

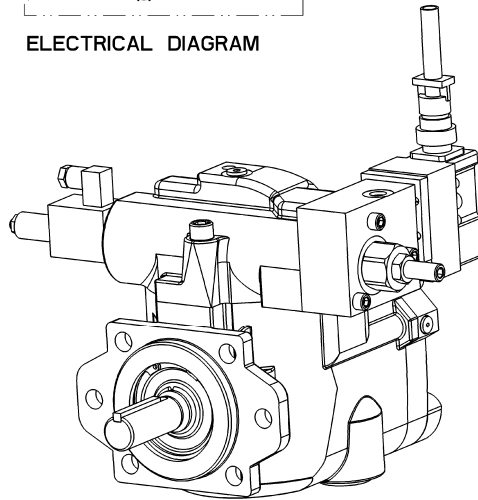
**Servo Valve Control**



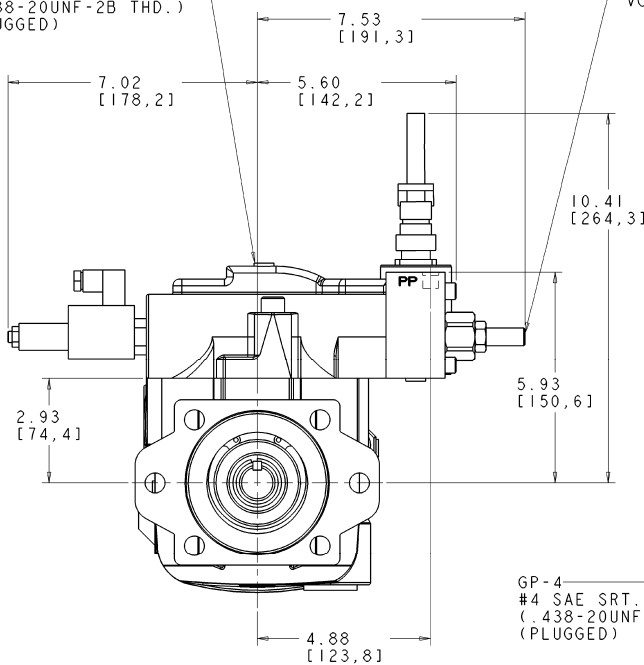
**ELECTRICAL DIAGRAM**



**HYDRAULIC CIRCUIT**



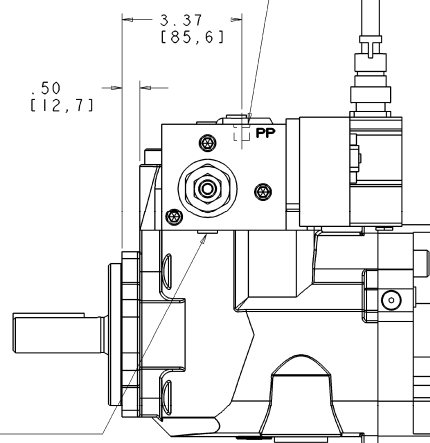
GP-2  
#4 SAE SRT. THD.  
(.438-20UNF-2B THD.)  
(PLUGGED)



MINIMUM  
VOLUME STOP

PILOT PRESSURE INLET  
#4 SAE STR. THD.  
(.438-20UNF-2B THD.)  
(3-MICRON FILTERED OIL  
REQUIRED 580 PSI)

SERVO VALVE  
ELECTRICAL CONNECTION  
MS-3106A-14S-2S



GP-4  
#4 SAE SRT. THD.  
(.438-20UNF-2B THD.)  
(PLUGGED)

FOR BASIC PUMP DIMENSIONS  
SEE PLANOGRAPHS:  
DS-47952, DS-47953 & DS47954

517118-213