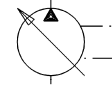


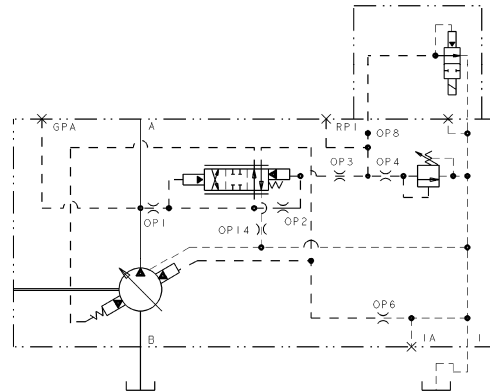
" F1 "

" P-C " CONTROL

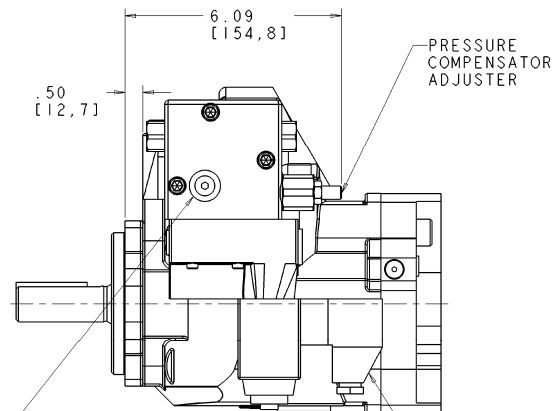
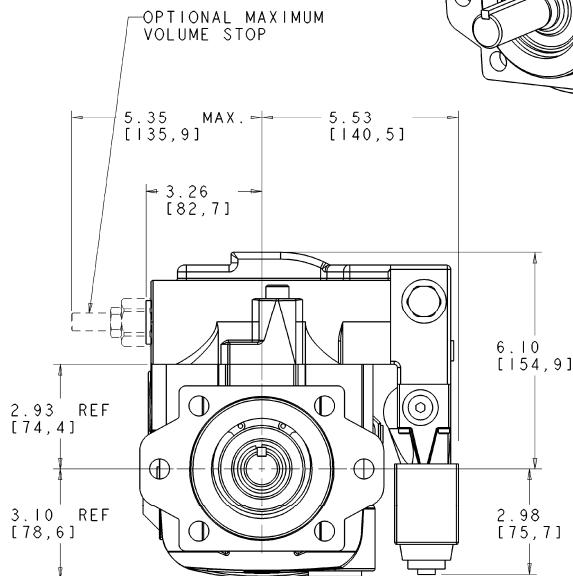
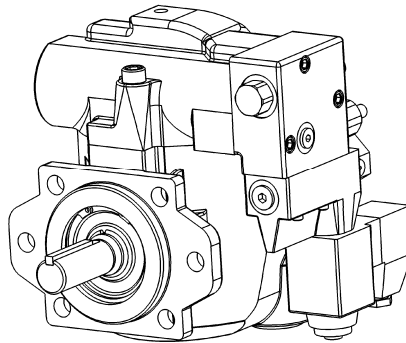


INSTALLATION DRAWING

Single Pressure Soft Starting Control



HYDRAULIC CIRCUIT



SOFT START SOLENOID
DIN 43650 ELECTRICAL CONN.

REMOTE PORT RP1
#4 SAE STRAIGHT THD.
(PLUGGED)
(.438-20 UNF-2B TAP)

FOR BASIC PUMP DIMENSIONS
SEE PLANOGRAPHS;
DS-47952, DS-47953 & DS-47954

517118-210