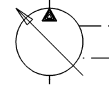


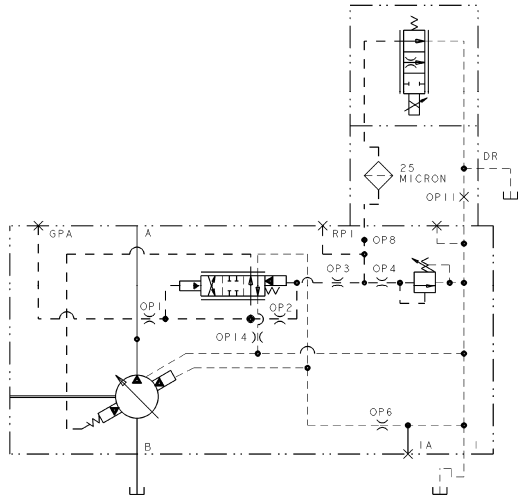
" F1 "

" P-ANX (N.O) OR P-BNX (N.C) "

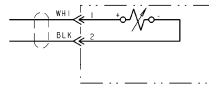


**INSTALLATION DRAWING**

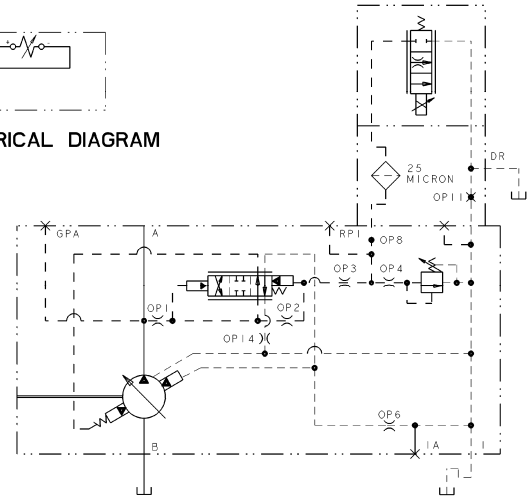
**Proportional Control Device**



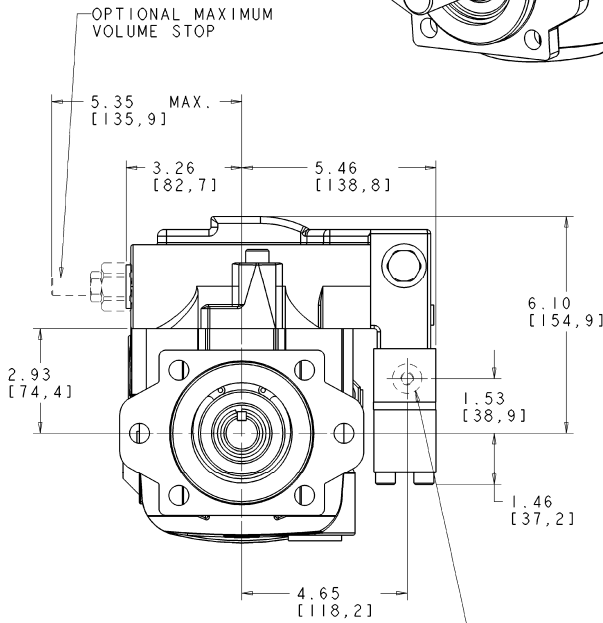
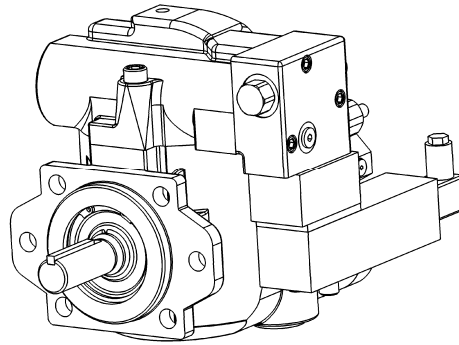
**P-A HYDRAULIC CIRCUIT (N.O.)**



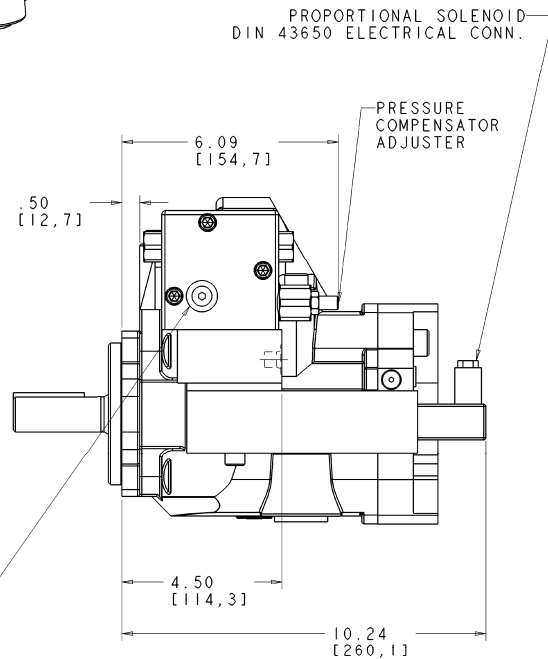
**ELECTRICAL DIAGRAM**



**P-B HYDRAULIC CIRCUIT (N.C.)**



DR (PILOT DRAIN)  
#4 SAE STR. THD.  
(.438-20UNF-2B THD.)  
"FAR SIDE"



REMOTE PORT RPT  
#4 SAE STRAIGHT THD.  
(PLUGGED)  
(.438-20 UNF-2B TAP)

FOR BASIC PUMP DIMENSIONS  
SEE PLANOGRAPHS;  
DS-47952, DS-47953 & DS-47954

517118-209