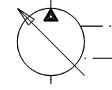


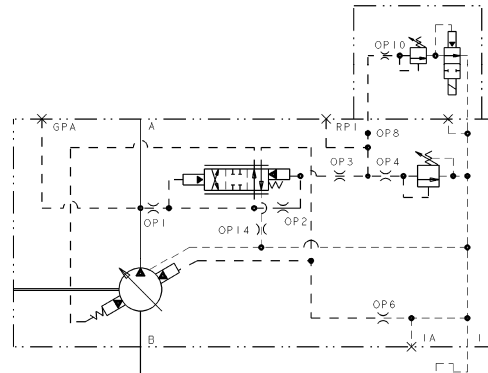
" F1 "

" P-2 " CONTROL

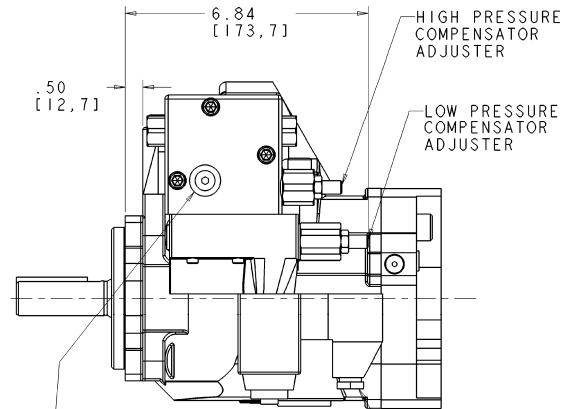
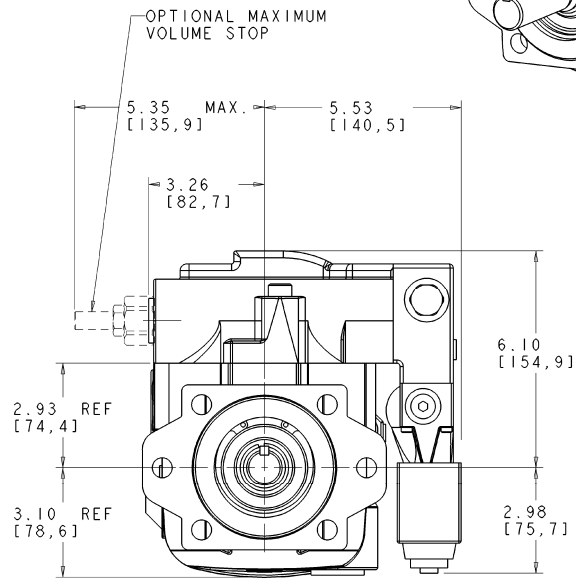
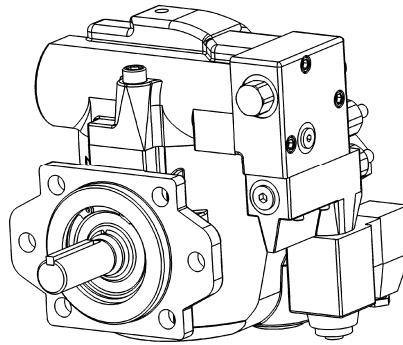


INSTALLATION DRAWING

Dual Pressure Compensator Control



HYDRAULIC CIRCUIT



REMOTE PORT RPI
#4 SAE STRAIGHT THD.
(PLUGGED)
(.438-20 UNF-2B TAP)

PRESSURE SELECTOR SOLENOID
DIN 43650 ELECTRICAL CONN.

FOR BASIC PUMP DIMENSIONS
SEE PLANOGRAPHS;
DS-47952, DS-47953 & DS-47954

517118-208