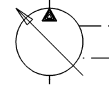


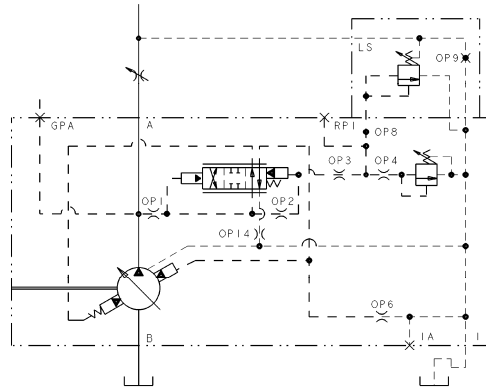
" F1 "

" P-1NN/F " CONTROL

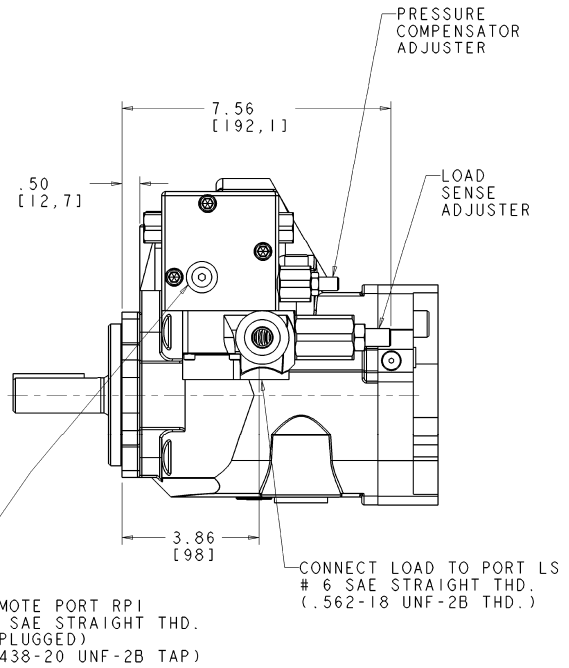
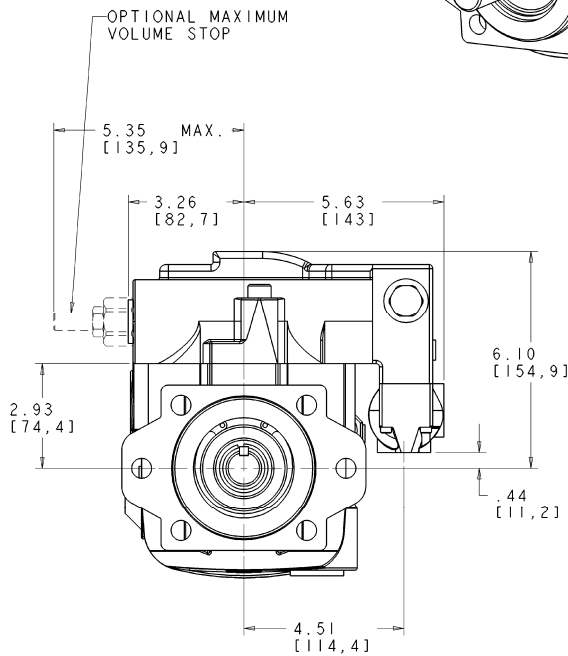
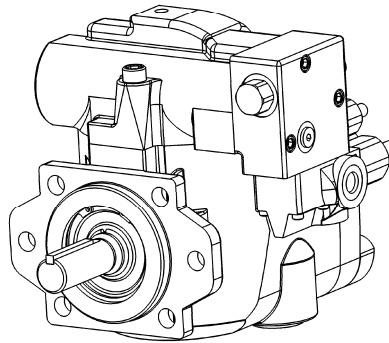


INSTALLATION DRAWING

Single Pressure Compensator Control w/Load Sense



HYDRAULIC CIRCUIT



FOR BASIC PUMP DIMENSIONS
SEE PLANOGRAPHS;
DS-47952, DS-47953 & DS-47954

517118-205