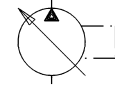


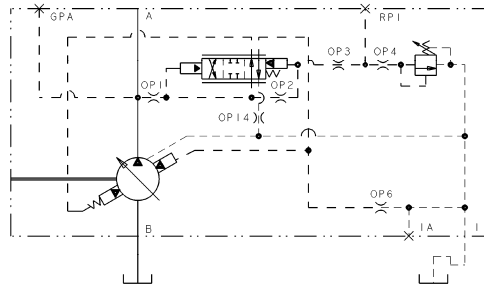
" F1 "

" P-1NN " CONTROL

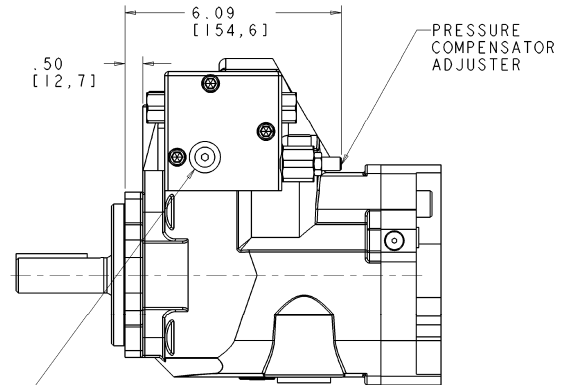
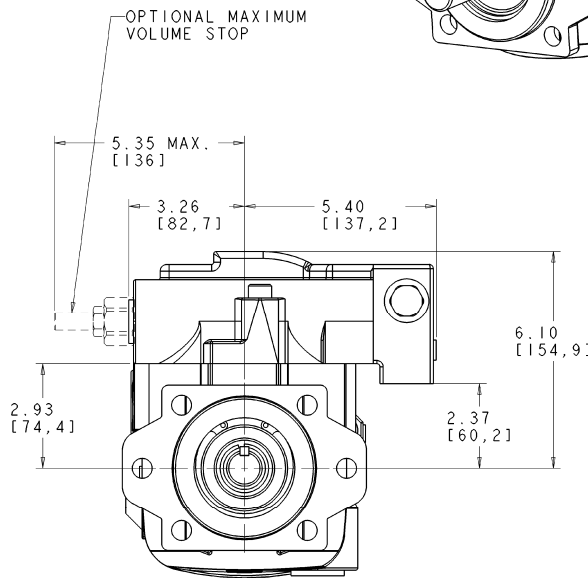
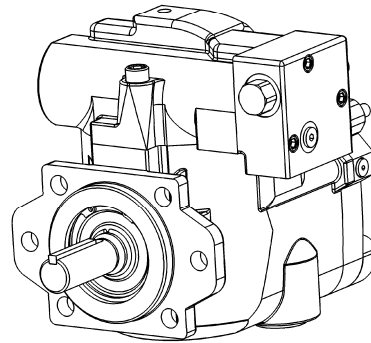


INSTALLATION DRAWING

Single Pressure Compensator Control



HYDRAULIC CIRCUIT



REMOTE PORT RPI
#4 SAE STRAIGHT THD.
(PLUGGED)
(.438-20 UNF-2B TAP)

FOR BASIC PUMP DIMENSIONS
SEE PLANOGRAPHS:
DS-47952, DS-47953 & DS47954

517118-204