

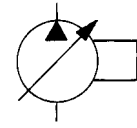


# PUMP, VARIABLE DELIVERY PVG 100 & 130 (F1U)

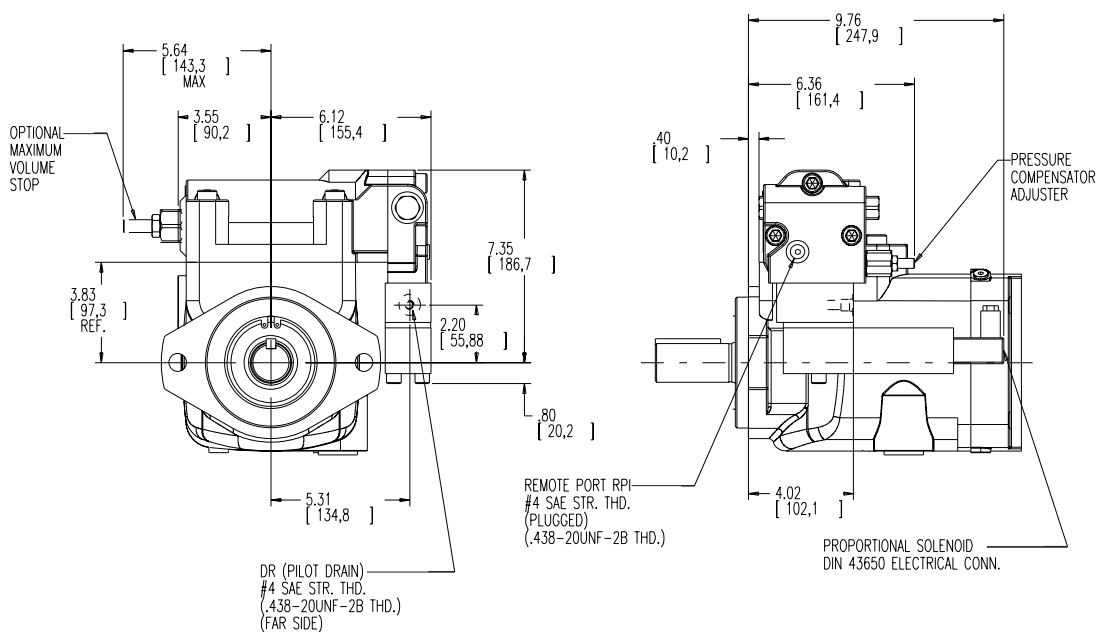
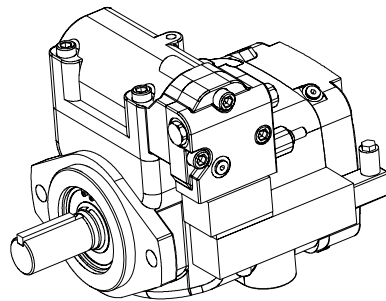
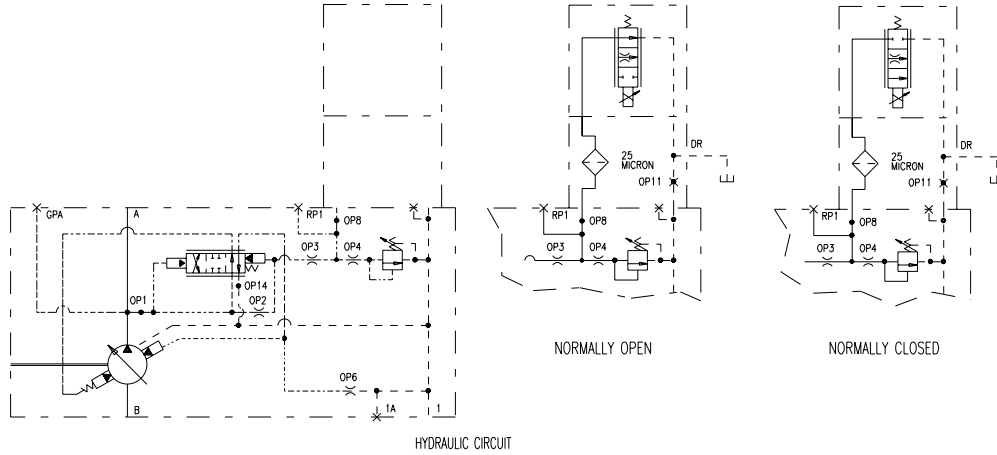
ENGINEERING

1

## "P-AN- or P-BN-" CONTROLS



### Installation Drawing Electronic Proportional Pressure Compensator Control



FOR BASIC PUMP DIMENSIONS  
SEE PLANOGRAPHS:  
DS-47942 DS-47943 DS-47944

Telephone: (414) 327-1700  
Fax: (414) 327-0532

**OILGEAR**  
2300 So. 51st. Street  
Milwaukee, WI USA 53219

Reissued: April, 2008  
**DS-47546-D**