

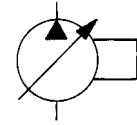


PUMP, VARIABLE DELIVERY PVG 100 & 130 (F1U)

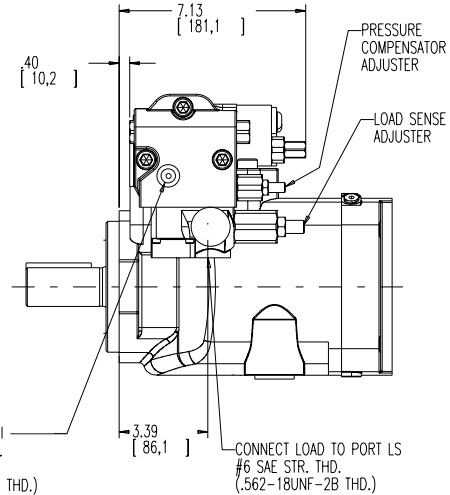
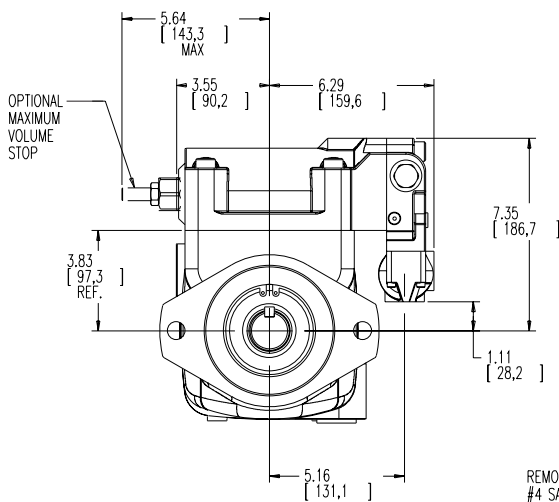
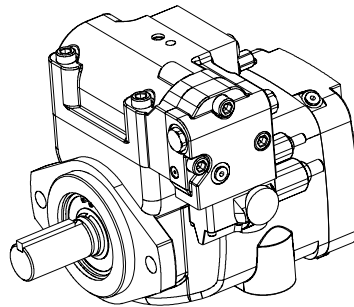
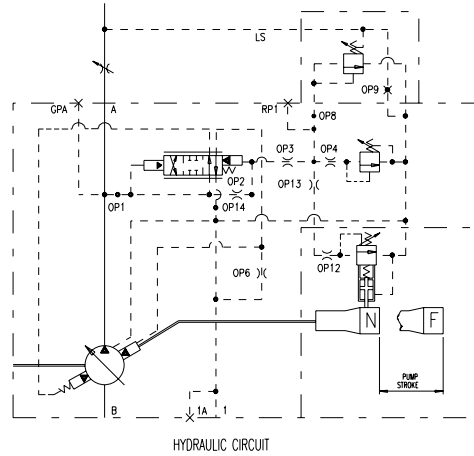
ENGINEERING

1

"P-1NN/G" CONTROL



Installation Drawing Single Pressure Compensator w/Load Sense & Horsepower Limit Control



FOR BASIC PUMP DIMENSIONS
SEE PLANOGRAPHS:
DS-47942 DS-47943 DS-47944

516152-210

Telephone: (414) 327-1700
Fax: (414) 327-0532

OILGEAR
2300 So. 51st. Street
Milwaukee, WI USA 53219

Reissued: April, 2008
DS-47544-D