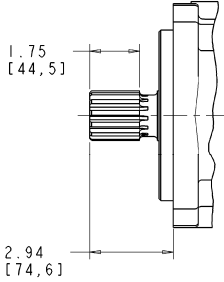


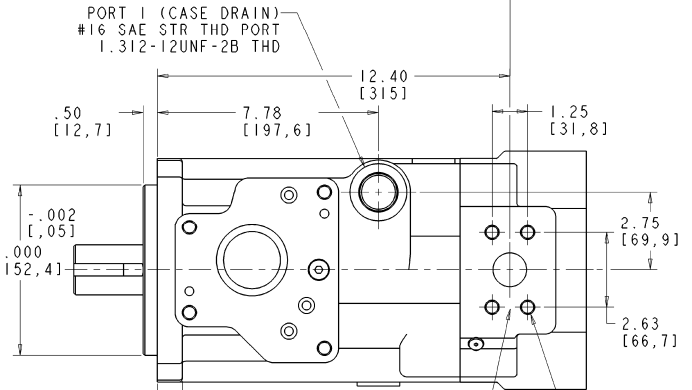
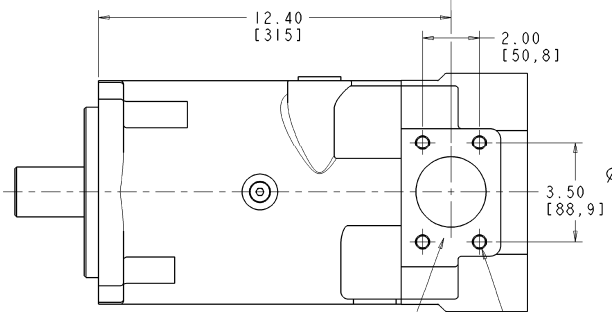
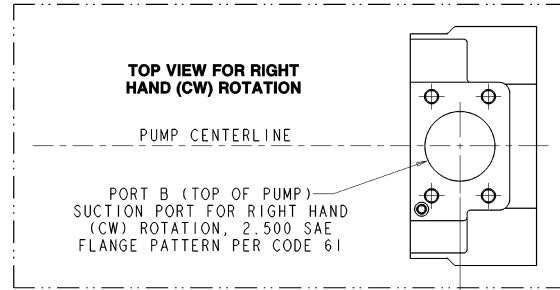
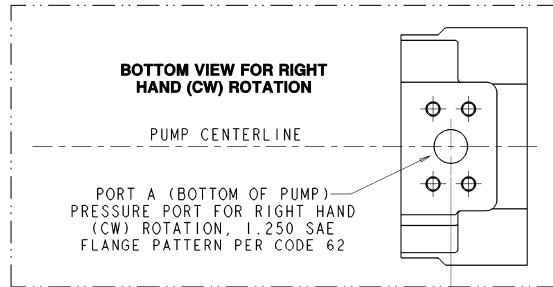
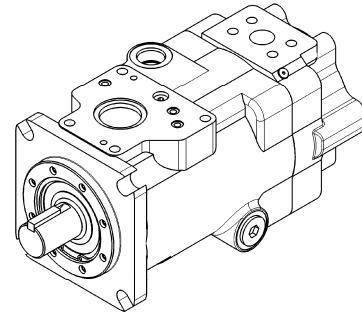
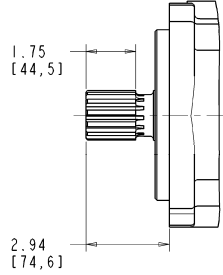
INSTALLATION DRAWING

Basic Pump Without Controls - Thru Shaft

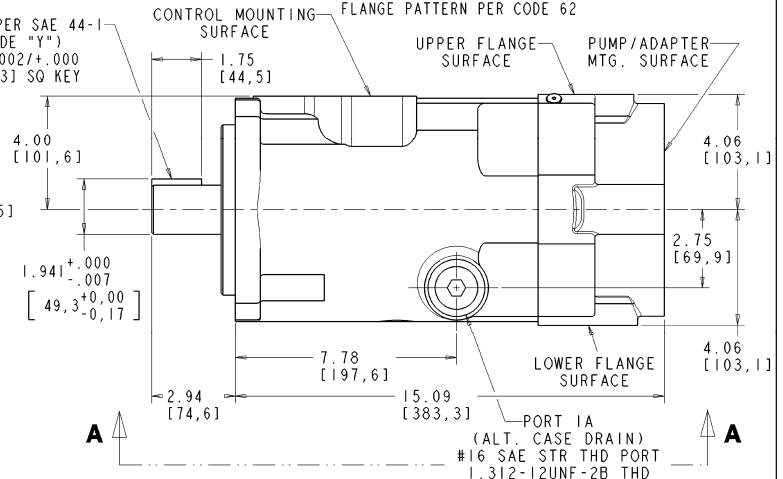
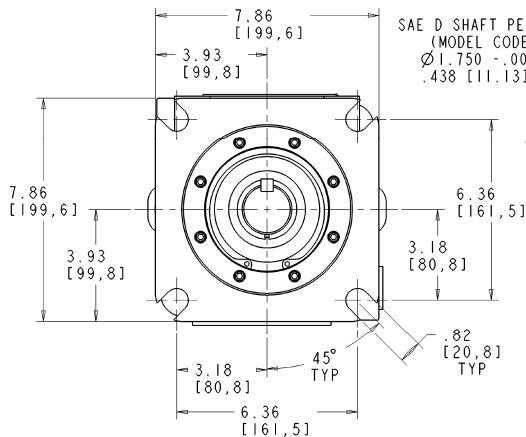
**SAE "D" SPLINE SHAFT
(SAE "44-4")
MODEL CODE "L"**
SAE INVOLUTE SPLINE
13 TEETH, 8/16 PITCH
1.750-.010 [44,45-.25] MAJOR DIA.



**SAE "D" SPLINE SHAFT
(SPECIAL)
MODEL CODE "S"**
SAE INVOLUTE SPLINE
13 TEETH, 8/16 PITCH
1.730 [43,94] MAJOR DIA.



VIEW A-A
PORT B (BOTTOM OF PUMP)
SUCTION PORT FOR LEFT HAND (CCW) ROTATION, 2.500 SAE FLANGE PATTERN PER CODE 61
500-13UNC-2B THD
.81 DEEP [20,6]
DEEP, 4 HOLES



520241-102

Telephone: (414) 327-1700
Fax: (414) 327-0532

OILGEAR
2300 So. 51st Street
Milwaukee, WI USA 53219

Issued: October, 2009

DS-47376