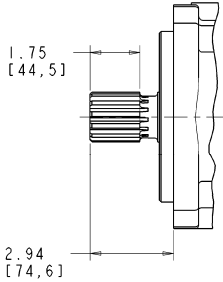


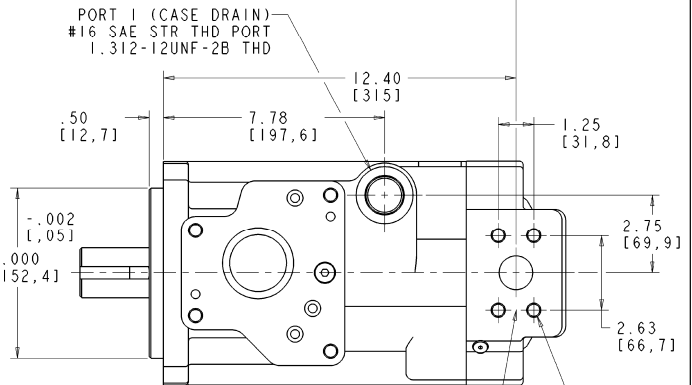
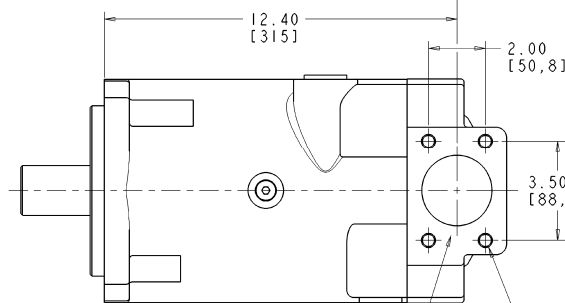
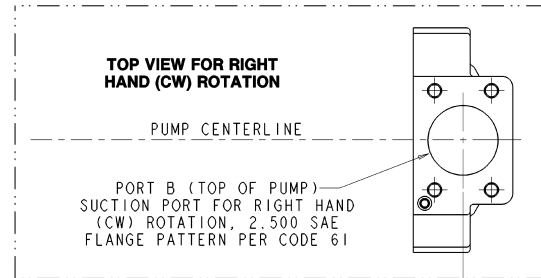
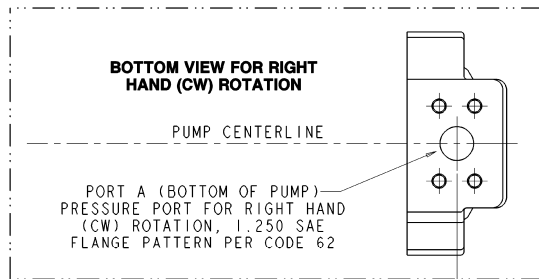
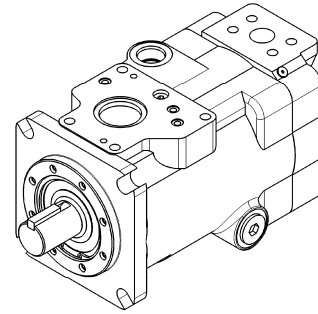
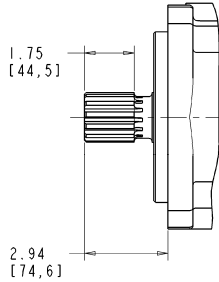
#### INSTALLATION DRAWING

#### Basic Pump Without Controls

**SAE "D" SPLINE SHAFT  
(SAE "44-4")  
MODEL CODE "L"**  
SAE INVOLUTE SPLINE  
13 TEETH, 8/16 PITCH  
1.750-.010 [44,45-.25] MAJOR DIA.



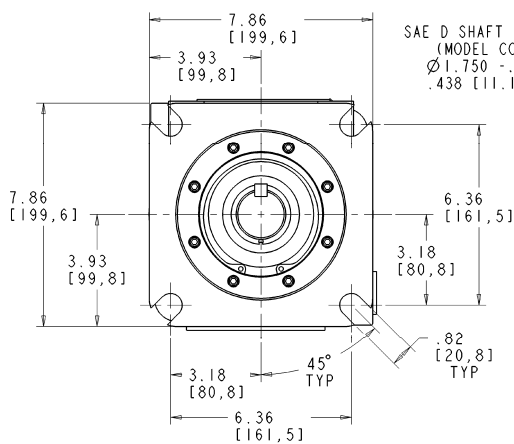
**SAE "D" SPLINE SHAFT  
(SPECIAL)  
MODEL CODE "S"**  
SAE INVOLUTE SPLINE  
13 TEETH, 8/16 PITCH  
1.730 [43,94] MAJOR DIA.



**VIEW A-A**  
PORT B (BOTTOM OF PUMP)  
SUCTION PORT FOR LEFT HAND  
(CCW) ROTATION, 2.500 SAE  
FLANGE PATTERN PER CODE 61

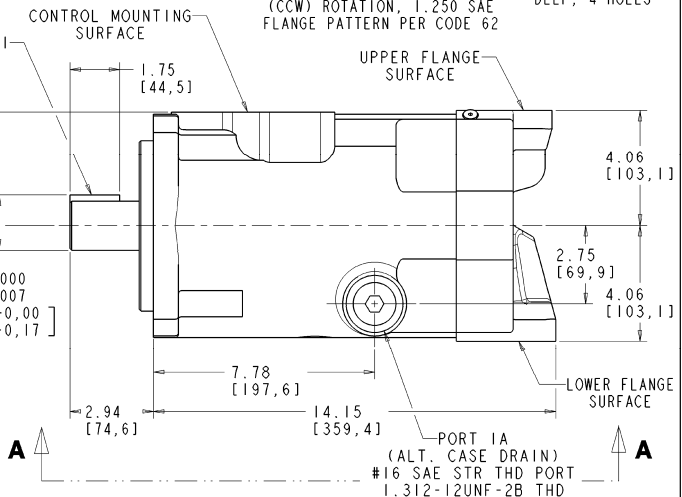
500-13UNC-2B THD  
.81 DEEP [20,6]  
DEEP, 4 HOLES

PORT A (TOP OF PUMP)  
PRESSURE PORT FOR LEFT HAND  
(CCW) ROTATION, 1.250 SAE  
FLANGE PATTERN PER CODE 62



**SAE "D-FACE" MTG. PATTERN  
(SAE "152-4")**

SAE D SHAFT PER SAE 44-1  
(MODEL CODE "Y")  
Ø 1.750  $-.002/+0.000$   
.438 [11,13] SQ KEY



**A**

**A**

PORT 1A  
(ALT. CASE DRAIN)  
#16 SAE STR THD PORT  
1.312-12UNF-2B THD

520241-101

Telephone: (414) 327-1700  
Fax: (414) 327-0532

OILGEAR  
2300 So. 51st Street  
Milwaukee, WI USA 53219

Issued: October, 2009

**DS-47375**