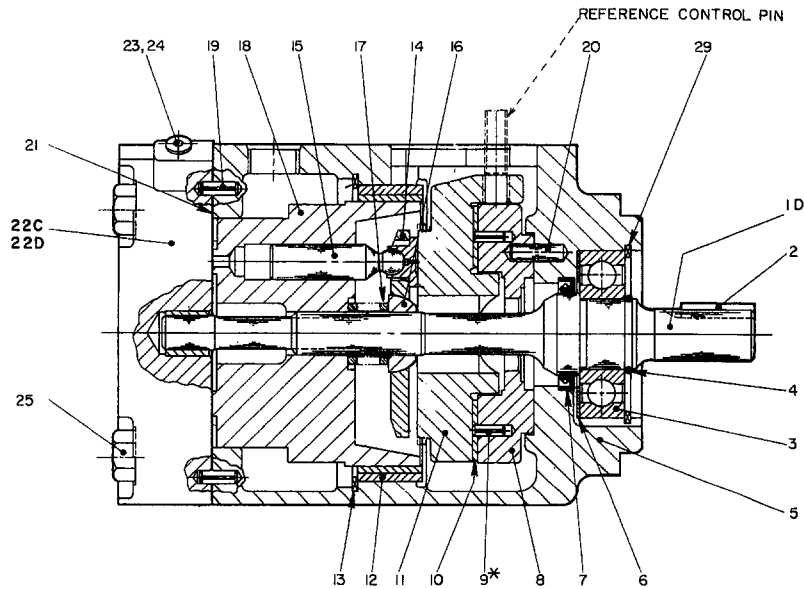
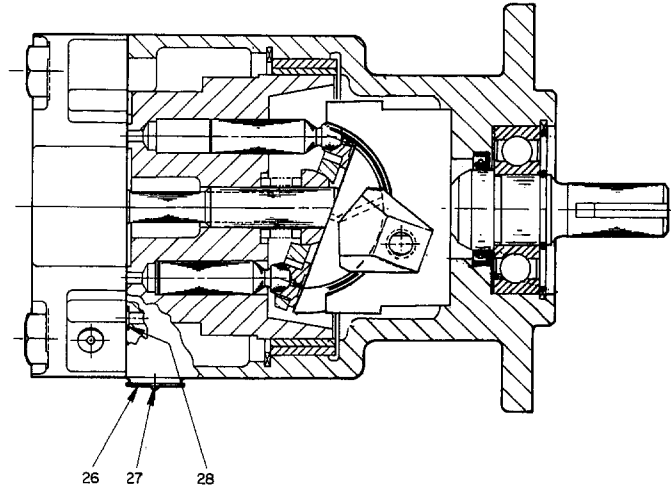


Parts Drawing

Axial Piston, Variable Displacement



*ROLL PINS TO EXTEND
0.06^{+0.01} [1,5^{+0.25}] FROM
SADDLE SURFACE.

SEE SERVICE INSTRUCTION BULLETIN 947015 FOR INFORMATION ON:-

- "VII DISASSEMBLY"
- "VIII INSPECTION"
- "IX ASSEMBLY"

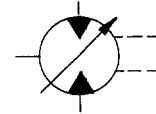
517446

Issued Feb., 1995

OILGEAR
2300 So. 51st Street
MILWAUKEE, WI USA 53219

Telephone: (414) 327-1700
Fax: (414) 327-0532

DS-957015



Parts List

Axial Piston, Variable Displacement

Parts used in this assembly are per Oilgear specifications. Use Oilgear parts to ensure compatibility with assembly requirements. When ordering replacement parts, be sure to include pump type designation, serial number, Data Sheet (DS) number and item number. To assure seal and packing compatibility, specify type of hydraulic fluid used.

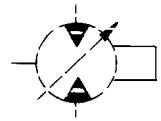
ITEM NO.	DESCRIPTION	ITEM NO.	DESCRIPTION
1D	Driveshaft w/Keyway (rear port)	16	Ball, Fulcrum
2	Key, Driveshaft	17	Spring, Shoe Retainer
3	Bearing, Front Driveshaft	18	Barrel, Cylinder
4	Ring, Shaft Retainer	19	Pin, Roll
5	Housing, Motor	20	Pin, Saddle Locating
6	Retainer, Seal	21	Gasket, Valve Plate
7	Seal, Shaft	22C	Valve Plate, Rear Port LH
8	Block, Saddle (items 8 & 9 sold as an assembly)	22D	Valve Plate, Rear Port RH
9	Pin, Roll (items 8 & 9 sold as an assembly)	23	Seal, O'ring
10	Bearing, Saddle	24	Plug, SAE Hollow Hex.
11	Swashblock	25	Screw, Hex. Hd.
12	Bearing, Cylinder Hydrodynamic	26	Nameplate, Identification
13	Ring, Retainer	27	Screw, Drive
14	Retainer, Shoe	28	Seal, O'ring
15	Assembly, Piston/Shoe	29	Ring, Driveshaft Bearing Retainer

O'RING SIZES Cross Section x O.D. Duro 5

ITEM NO.	Cross Section	UNIT SIZE	O.D.
	04, 06, 10	11, 15, 20	25, 34, 45
23	ARP 902	ARP 902	ARP 902
28	.062 x .375 - 90	.062 x .375 - 90	*0.062 x 375 - 90 .062 x .500 - 90

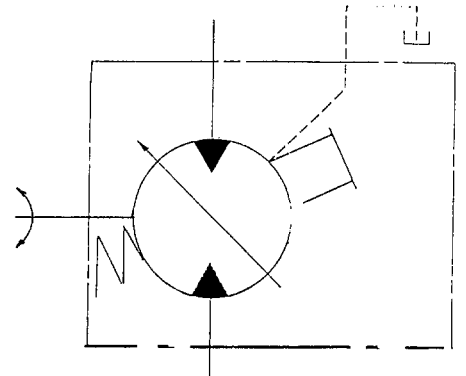
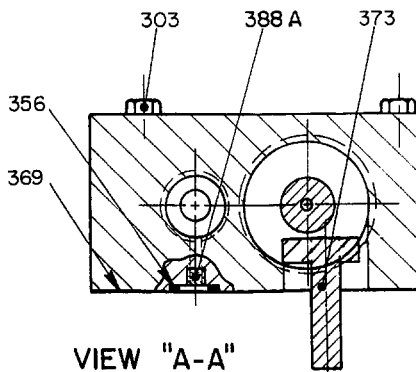
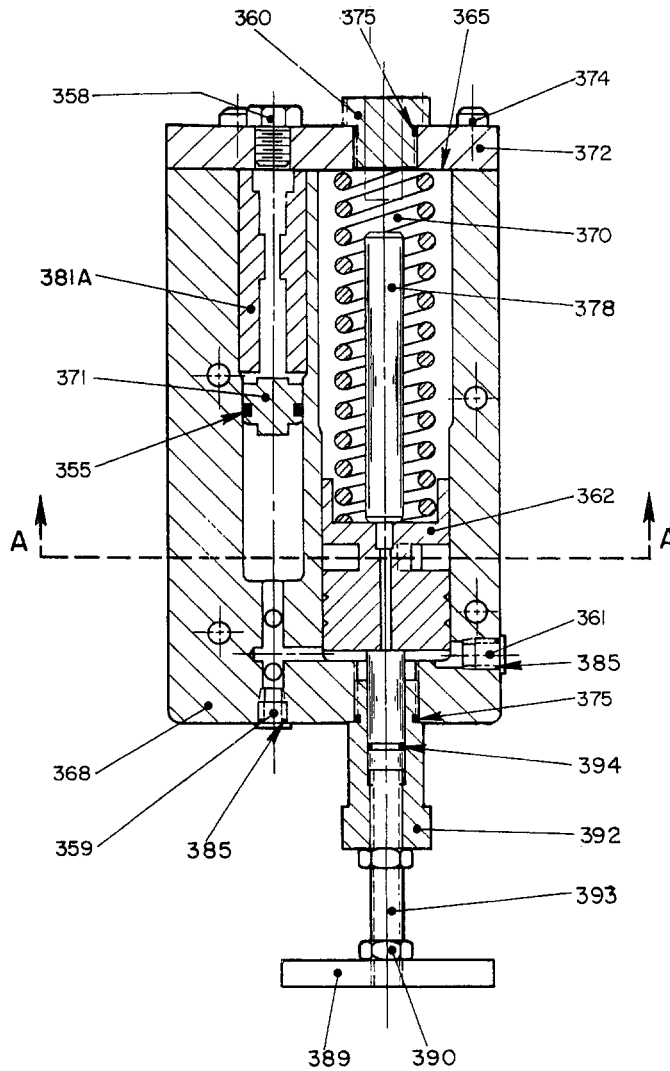
* Use on early units

Issued Feb., 1995



Parts Drawing

Type HN Hand Wheel Control



517447

VIEW "A-A"

Issued Feb., 1995

OILGEAR
2300 So. 51st Street
MILWAUKEE, WI USA 53219

Telephone: (414) 327-1700
Fax: (414) 327-0532

DS-957115

Oilgear

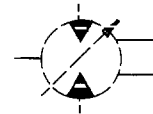
**MOTOR, VARIABLE
DISPLACEMENT**

MAINTENANCE

2

MVW

"HN" CONTROL



Parts List

Type HN Hand Wheel Control

Parts used in this assembly are per Oilgear specifications. Use Oilgear parts to ensure compatibility with assembly requirements. When ordering replacement parts, be sure to include pump type designation, serial number, Data Sheet (DS) number and item number. To assure seal and packing compatibility, specify type of hydraulic fluid used.

ITEM NO.	DESCRIPTION
303	Screw, H.H.C.
355	Seal, O'ring
356	Seal, O'ring
358	Screw, H.H.C.
359	Plug, SAE
360	Plug, SAE
361	Plug, SAE
362	Piston, Control
365	Gasket, Control Cover
368	Housing, "HN" Control
369	Gasket, Control
370	Spring, Control Piston
371	Plug, Control
372	Cover, Control Housing
373	Pin, Control Piston
374	Screw, S.H.C.
375	Seal, O'ring
378	Stop, Control Piston
381A	Spacer
385	Seal, O'ring
388A	Screw, Set
389	Knob, Control
390	Nut, Jam

Issued Feb., 1995

OILGEAR
2300 So. 51st Street
MILWAUKEE, WI USA 53219

Telephone: (414) 327-1700
Fax: (414) 327-0532

DS-957115